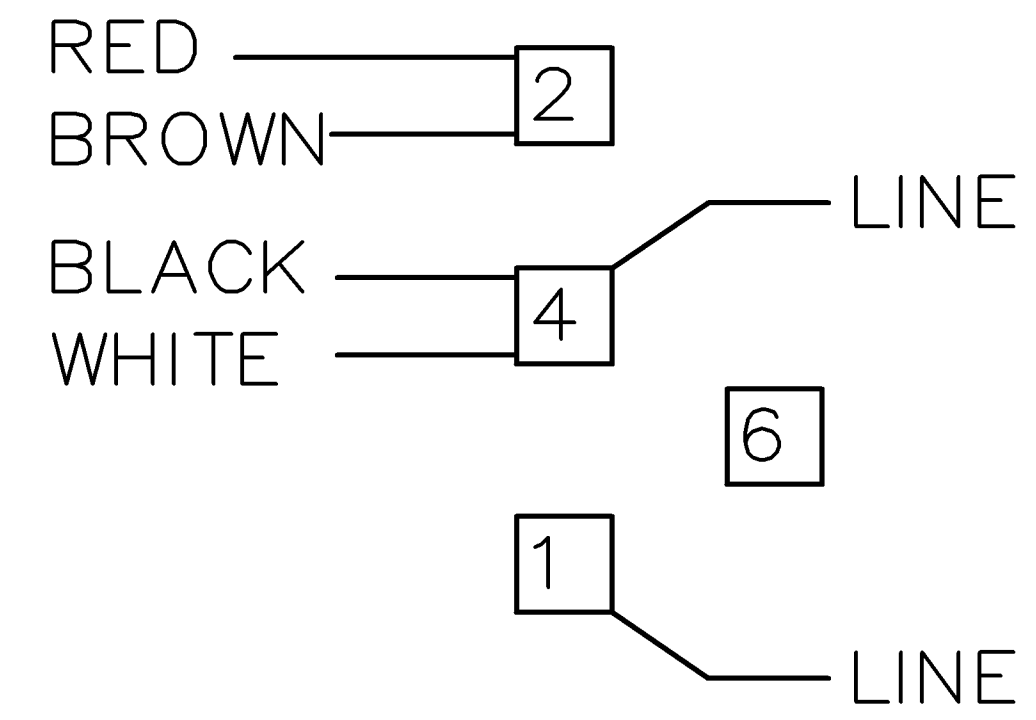


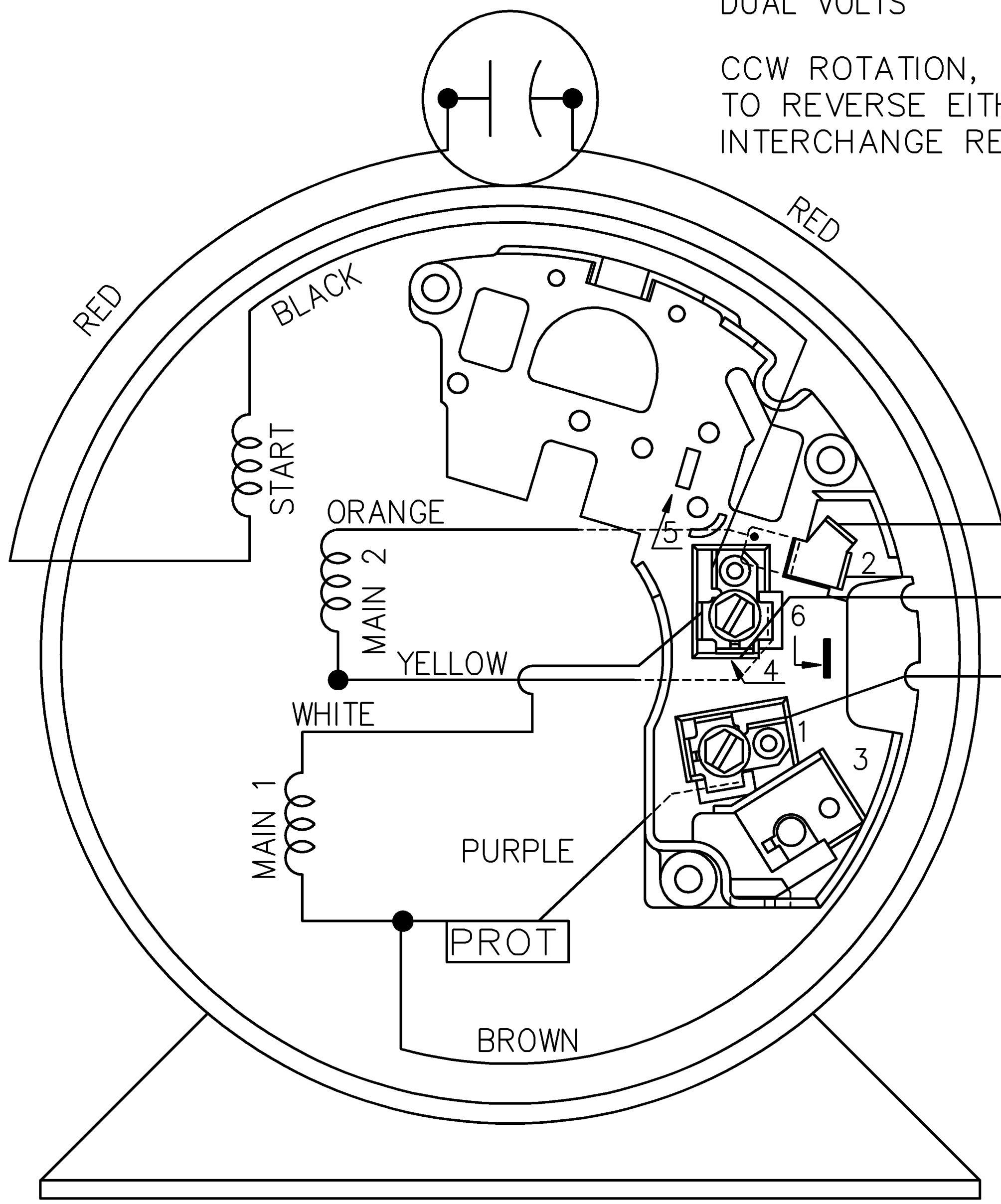
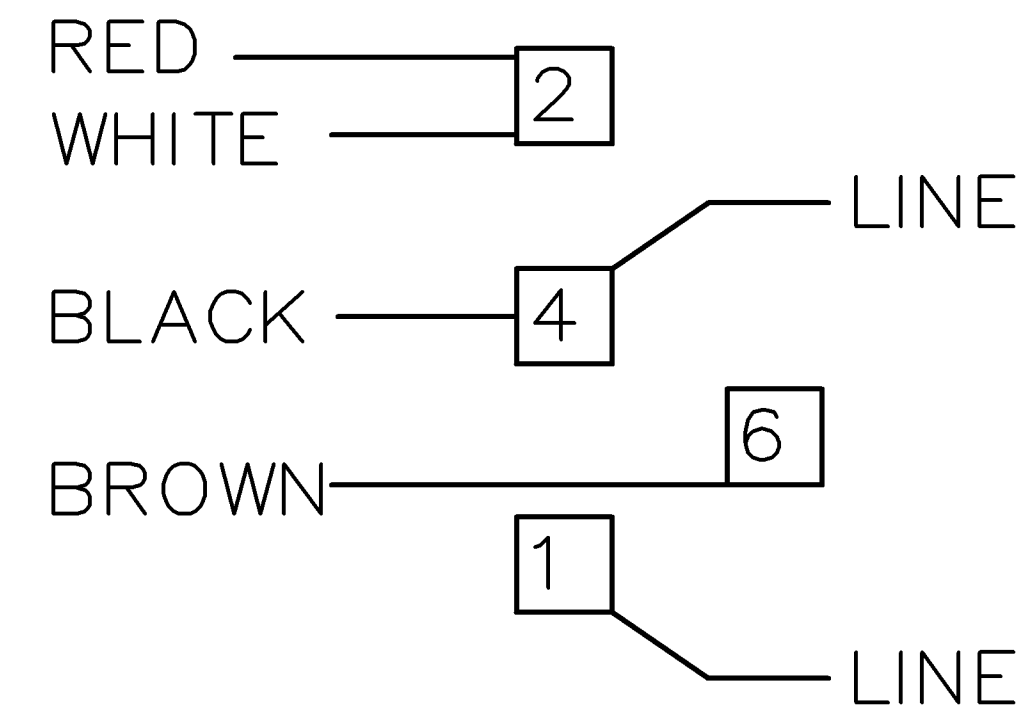
DUAL VOLTS

CCW ROTATION, SHAFT END, SHOWN  
TO REVERSE EITHER VOLTAGE  
INTERCHANGE RED AND BLACK LEADS.

LOW VOLTAGE



HIGH VOLTAGE



VIEW OF SHAFT END

				TOLERANCES UNLESS SPECIFIED		<b>Dayton Electric Mfg. Co.</b> 5959 West Howard St. Niles, IL 60714 USA	DRAWN NJS 02-10-2005			
				DEC.	INCHES		CHK ML 02-10-2005			
				.X	± -		APPD MJS 02-10-2005			
				.XX	± -		SCALE 1=1			
				.XXX	± -		REF			
				.XXXX	± -	MAT'L.	FMF MU64676			
NO.	REVISION	BY & DATE	CHK	ANG	± -	FINISH	PREV			
THIS DRAWING IN DESIGN AND DETAIL IS OUR PROPERTY AND MUST NOT BE USED EXCEPT IN CONNECTION WITH OUR WORK ALL RIGHTS OF DESIGN AND INVENTION ARE RESERVED THIS IS AN ELECTRONICALLY GENERATED DOCUMENT - DO NOT SCALE THIS PRINT				RFP	02-10-2005	CAD FILE 4YU22_WD	SIZE A	DRAWING NO. 4YU22-WD	PAGE OF	REV.
				DIST	WP					