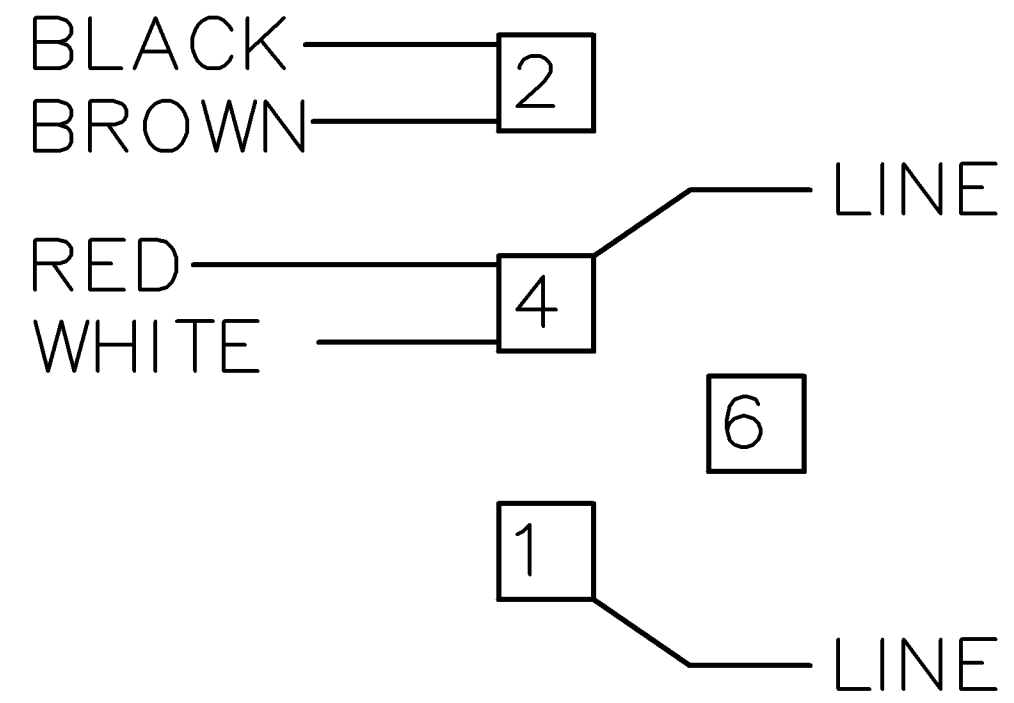
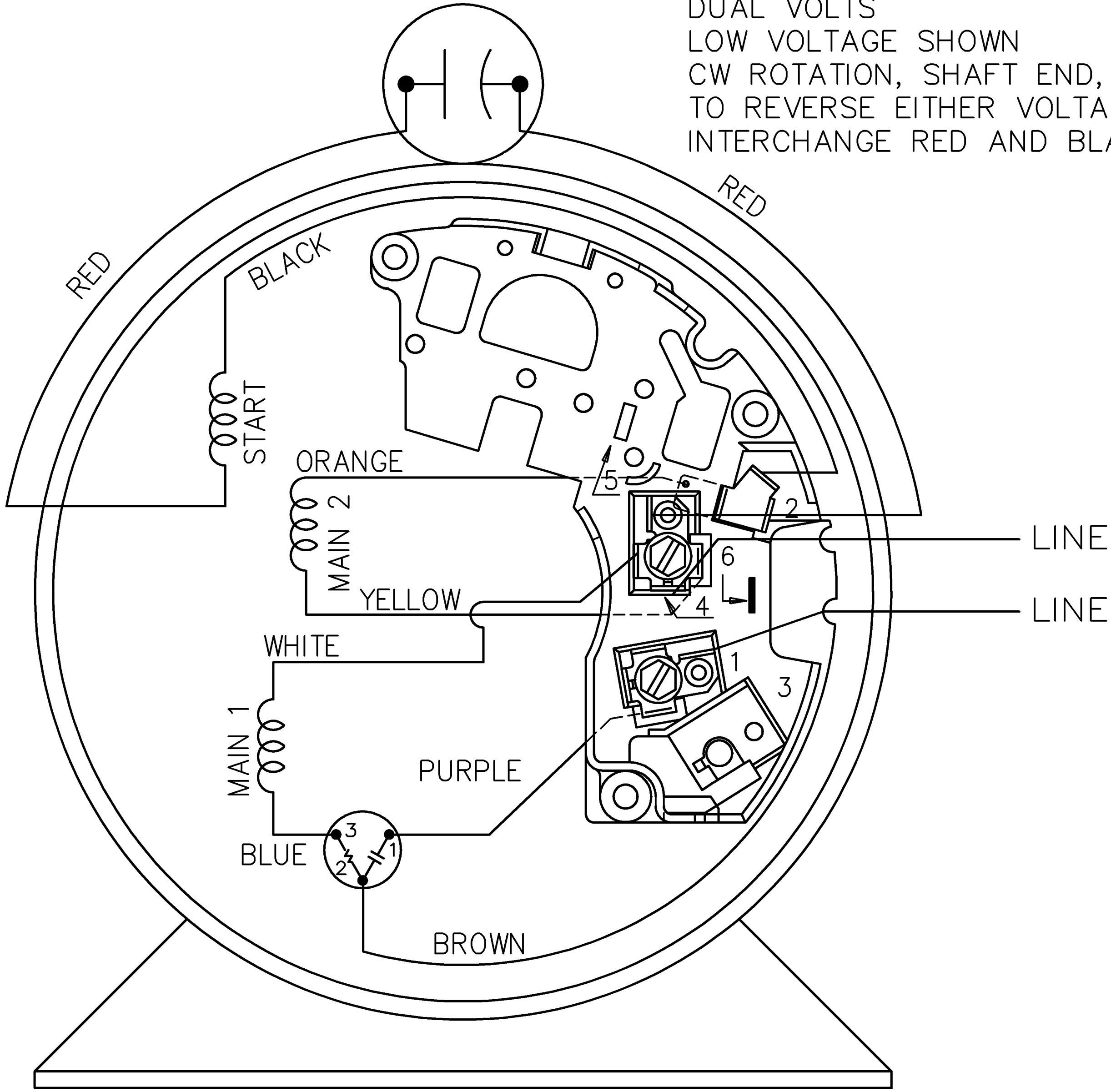
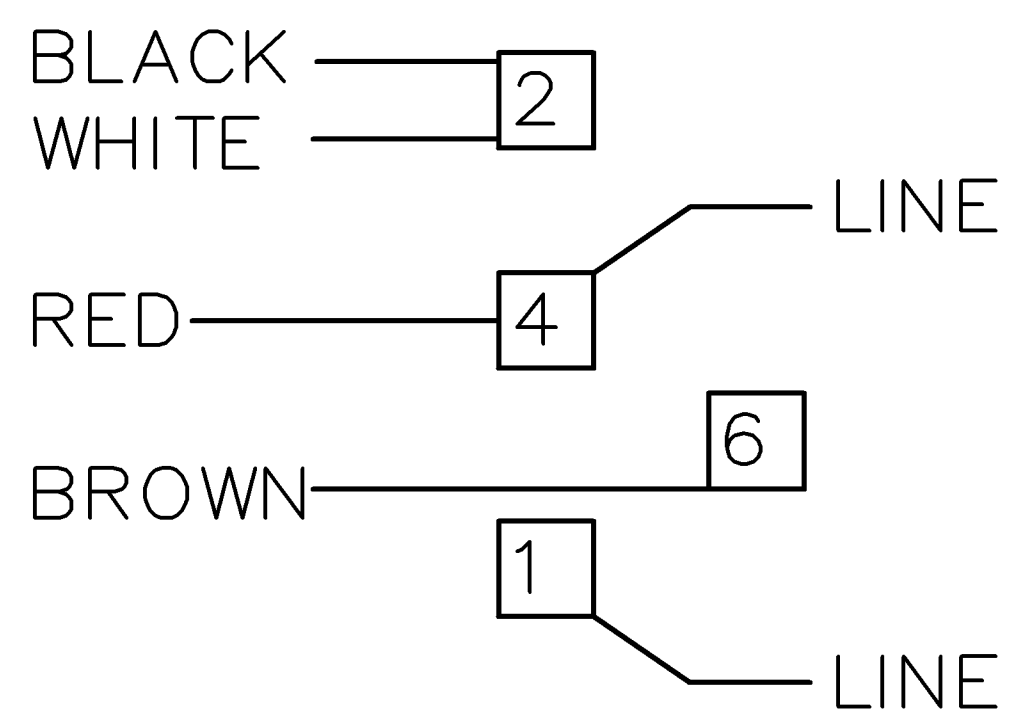


DUAL VOLTS  
 LOW VOLTAGE SHOWN  
 CW ROTATION, SHAFT END, SHOWN  
 TO REVERSE EITHER VOLTAGE  
 INTERCHANGE RED AND BLACK LEADS.


LOW VOLTAGE



HIGH VOLTAGE



VIEW OF SHAFT END

				TOLERANCES UNLESS SPECIFIED		 <b>Dayton Electric Mfg. Co.</b> 5959 West Howard St. Niles, IL 60714 USA	DRAWN NJS 02-09-2005			
				DEC.	INCHES		CHK ML 02-09-2005			
				.X	±.1		APPD MJS 02-09-2005			
				.XX	±.02		SCALE			
				.XXX	±.005		REF			
				.XXXX	±.0005	MAT'L.	FMF MU64682			
NO.	REVISION	BY & DATE	CHK	ANG	±7'30"	FINISH	PREV			
THIS DRAWING IN DESIGN AND DETAIL IS OUR PROPERTY AND MUST NOT BE USED EXCEPT IN CONNECTION WITH OUR WORK ALL RIGHTS OF DESIGN AND INVENTION ARE RESERVED THIS IS AN ELECTRONICALLY GENERATED DOCUMENT - DO NOT SCALE THIS PRINT				RFP	02-09-2005	CAD FILE 4YU26_WD	SIZE A	DRAWING NO. 4YU26-WD	PAGE OF	REV.
				DIST	WP					