

Centrifugal Belt-Drive In-Line Duct Blower

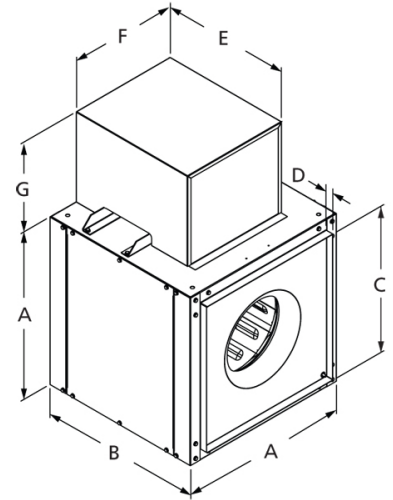


Designed for indoor clean air applications including intake, exhaust, return, or make-up air systems in industrial or commercial buildings. Rugged construction allows fan to be installed in ductwork either horizontally or vertically. Duct collars provide easy duct connections. Access panels are included on each side of the unit.

- Aluminum backward inclined, nonoverloading centrifugal wheel design
- UL/cUL 705 Listed for Power Ventilators
- Maximum inlet air temperature: 160° F
- Bearing and motor cover provide longer service life
- Regreaseable pillow block bearings

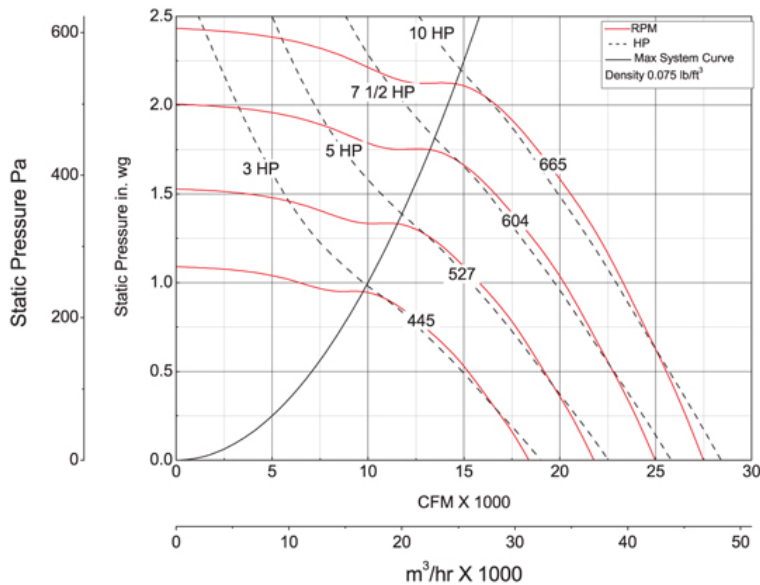


Dayton Electric Mfg. Co. certifies that the blowers shown herein are licensed to bear the AMCA seal. The ratings shown are based on tests and procedures performed in accordance with AMCA Publication 211 and AMCA Publication 311 and comply with the requirements of the AMCA Certified Ratings Program.



| | | | | | |
|-----------|----------|-----------|----------|-----------|----------|
| A | B | C | D | E | F |
| 58 in | 50 in | 53 7/8 in | 1 1/2 in | 35 1/4 in | 22 in |
| G | | | | | |
| 18 7/8 in | | | | | |

Performance Characteristics



Construction Features

| | |
|----------------------------------|-------------------------------|
| Impeller Diameter (Typ.) | 16 3/4 in |
| Impeller Type | Backward Inclined Centrifugal |
| Impeller Material | Aluminum |
| Max Inlet Temp | 180 °F |
| Bearing Type | Sealed Pillow Block |
| Drive Package Description | Drives By Others |
| Warranty Length | 1 Year |

Air & Sound Performance

| Motor HP | Max BHP | Fan RPM | CFM @ | 0.000" SP | 0.125" SP | 0.250" SP | 0.375" SP | 0.500" SP | 0.625" SP | 0.750" SP | 0.875" SP | 1.000" SP | 1.250" SP | 1.500" SP |
|----------|---------|---------|-------|-----------|-----------|-----------|-----------|-----------|-----------|-----------|-----------|-----------|-----------|-----------|
| 1/4 | 0.26 | 865 | CFM | 2555 | 2360 | 2162 | 1933 | 1624 | — | — | — | — | — | — |
| | | | Sones | 10.6 | 10.6 | 9.7 | 9.4 | 8.8 | — | — | — | — | — | — |
| 1/3 | 0.34 | 945 | CFM | 2791 | 2612 | 2434 | 2236 | 2010 | 1692 | — | — | — | — | — |
| | | | Sones | 12.6 | 12.0 | 11.5 | 11.2 | 10.7 | 10.0 | — | — | — | — | — |
| 1/2 | 0.53 | 1100 | CFM | 3249 | 3095 | 2943 | 2787 | 2615 | 2429 | 2198 | 1900 | — | — | — |
| | | | Sones | 15.3 | 14.7 | 14.1 | 13.8 | 13.5 | 13.0 | 12.5 | 12.0 | — | — | — |
| 3/4 | 0.79 | 1250 | CFM | 3692 | 3557 | 3422 | 3289 | 3149 | 2997 | 2838 | 2658 | 2444 | — | — |
| | | | Sones | 17.9 | 17.4 | 17.0 | 16.6 | 16.3 | 16.0 | 15.6 | 15.2 | 14.9 | — | — |
| 1 | 1.05 | 1375 | CFM | 4062 | 3938 | 3815 | 3694 | 3571 | 3444 | 3304 | 3161 | 3007 | 2609 | 2073 |
| | | | Sones | 21.0 | 20.0 | 19.6 | 19.2 | 18.9 | 18.6 | 18.4 | 18.0 | 17.6 | 17.2 | 15.4 |

Performance certified is for installation type B: Free inlet, Ducted outlet. Power rating (BHP) does not include transmission losses. Performance ratings do not include the effects of appurtenances (accessories). The sound ratings shown are loudness values in fan sones at 5 ft. (1.5 m) in a hemispherical free field calculated per AMCA Standard 301. Values shown are for installation type B: Free inlet hemispherical fan sone levels.