

Centrifugal Belt-Drive Downblast Exhaust Ventilator

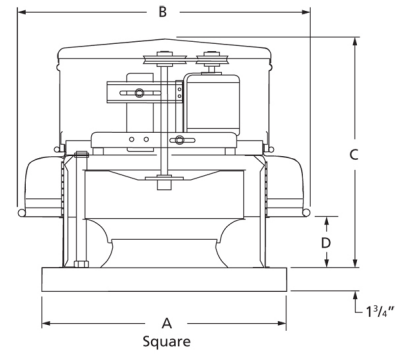


Designed to meet the general clean air exhaust requirements for industrial and commercial buildings. Features a fully rolled windband bead for increased stability and easy transport. Fresh outside air is drawn in under the motor cover to maximize motor life.

- Aluminum backward inclined, nonoverloading centrifugal wheel design
- Maximum inlet air temperature: 180° F
- NEMA 1 junction box located in motor enclosure
- Optional NEMA 1 and 4 disconnects available
- Sealed pillow block bearings
- UL/cUL 705 Listed for Power Ventilators
- Air handling quality bearings meet minimum of L10-100,000 hours

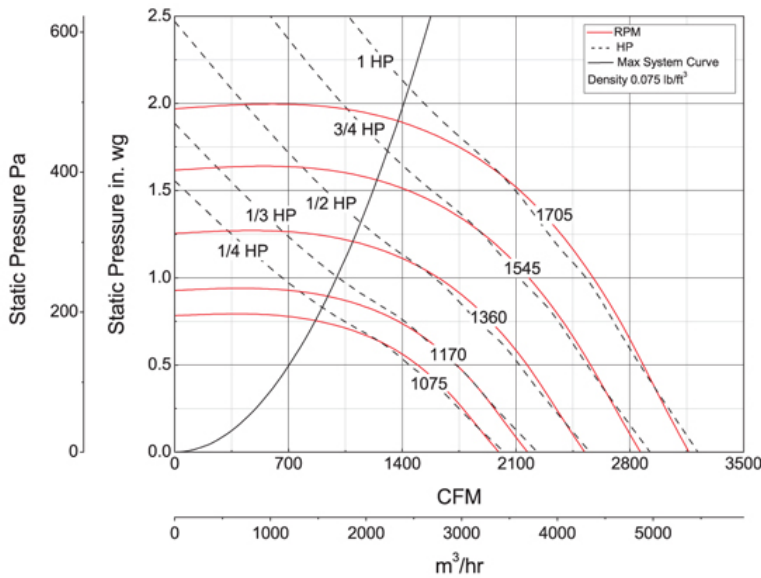


Dayton Electric Mfg. Co. certifies that the ventilators shown herein are licensed to bear the AMCA seal. The ratings shown are based on tests and procedures performed in accordance with AMCA Publication 211 and AMCA Publication 311 and comply with the requirements of the AMCA Certified Ratings Program.



A	B	C	D
22 in	28 3/8 in	25 3/8 in	4 in

Performance Characteristics



Construction Features

Impeller Diameter (Typ.)	14 3/4 in
Impeller Type	Backward Inclined Centrifugal
Impeller Material	Aluminum
Max Inlet Temp	180 °F
Bearing Type	Sealed Pillow Block
Drive Package Description	Drives By Others
Warranty Length	1 Year

Air & Sound Performance

Motor HP	Max BHP	Fan RPM	CFM @	0.000" SP	0.125" SP	0.250" SP	0.375" SP	0.500" SP	0.625" SP	0.750" SP	0.875" SP	1.000" SP	1.250" SP	1.500" SP	1.750" SP
1/4	0.26	1075	CFM	1994	1882	1771	1647	1490	1266	—	—	—	—	—	—
			Sones	10.0	9.9	9.4	8.9	8.4	7.8	—	—	—	—	—	—
1/3	0.34	1170	CFM	2170	2067	1966	1859	1734	1575	1356	—	—	—	—	—
			Sones	11.4	11.3	10.8	10.3	9.9	9.3	8.7	—	—	—	—	—
1/2	0.53	1360	CFM	2523	2433	2347	2259	2166	2062	1943	1793	1602	—	—	—
			Sones	14.6	14.3	13.9	13.5	13.1	12.7	12.2	11.6	11.0	—	—	—
3/4	0.78	1545	CFM	2866	2787	2710	2634	2556	2476	2384	2287	2177	1890	—	—
			Sones	17.6	18.0	17.4	17.1	16.8	15.9	14.9	14.8	14.7	14.7	—	—
1	1.05	1705	CFM	3163	3091	3020	2952	2883	2811	2739	2657	2574	2370	2120	1731
			Sones	20.0	20.0	20.0	19.6	19.2	18.9	18.1	17.3	16.9	16.7	16.6	16.4

Performance certified is for installation type A: Free inlet, Free outlet. Power rating (BHP) does not include transmission losses. Performance ratings include the effects of a birdscreen in the airstream. The sound ratings shown are loudness values in fan sones at 5 ft. (1.5 m) in a hemispherical free field calculated per AMCA Standard 301. Values shown are for installation type A: Free inlet hemispherical sone levels.