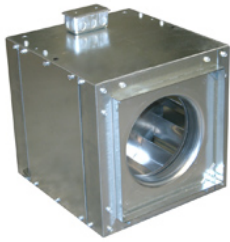


Variable Speed Electronically Commutated (EC) Blower

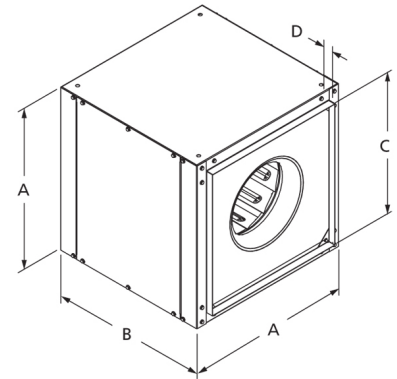


Designed for indoor clean air applications including intake, exhaust, return, or make-up air systems in industrial or commercial buildings. Rugged construction allows fan to be installed in ductwork either horizontally or vertically. Duct collars provide easy duct connections. Energy Saving units feature EC motors which allow up to 80% usable turndown. Motor features potentiometer dial for speed adjustment. Optional Variable-Speed Control Kit (43Y140) can be used to remotely control speed.

- Aluminum backward inclined, nonoverloading centrifugal wheel design
- NEMA 1 junction box included
- Units are speed controllable
- Maximum inlet air temperature: 104° F
- UL/cUL 705 Listed for Power Ventilators
- Reduces overall energy usage and cost

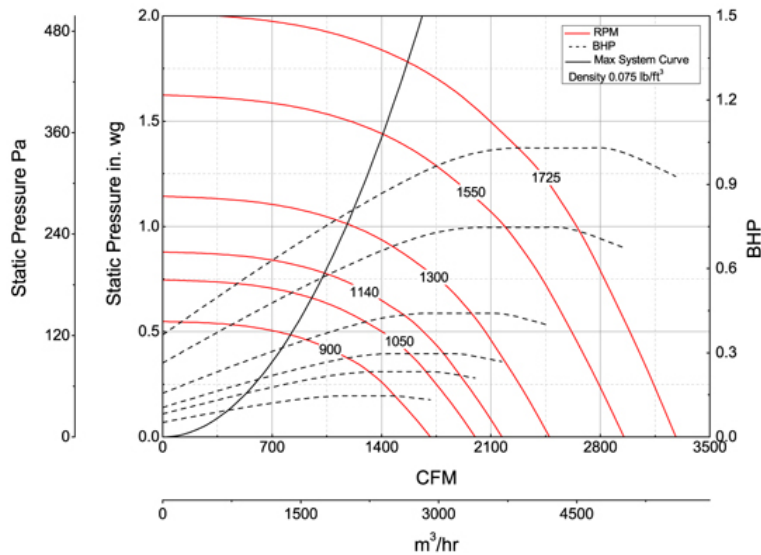


Dayton Electric Mfg. Co. certifies that the blowers shown herein are licensed to bear the AMCA seal. The ratings shown are based on tests and procedures performed in accordance with AMCA Publication 211 and AMCA Publication 311 and comply with the requirements of the AMCA Certified Ratings Program.



A	B	C	D
19 in	21 in	15 7/8 in	1 in

Performance Characteristics



Construction Features

Impeller Diameter (Typ.)	13 1/8 in
Impeller Type	Backward Inclined Centrifugal
Impeller Material	Aluminum
Max Inlet Temp	104 °F
Warranty Length	1 Year

Motor Information

Motor Item Number	43Y137
Voltage	115
Hertz (Cycle)	60 Hz
Motor Phase	1
Motor Enclosure	Open
RPM	rpm
Full Load Amps	6.7

Air & Sound Performance

Motor HP	Max BHP	Fan RPM	CFM @	0.000" SP	0.125" SP	0.250" SP	0.375" SP	0.500" SP	0.625" SP	0.750" SP	0.875" SP	1.000" SP	1.250" SP
1/2	0.07	900	CFM	1016	894	766	587	—	—	—	—	—	—
			Sones	4.9	4.6	3.7	3.5	—	—	—	—	—	—
1/2	0.11	1050	CFM	1186	1080	976	858	707	—	—	—	—	—
			Sones	6.3	6.1	5.6	5.1	4.9	—	—	—	—	—
1/2	0.14	1140	CFM	1287	1189	1094	992	873	692	—	—	—	—
			Sones	7.4	7.2	7.0	6.3	5.9	5.8	—	—	—	—
1/2	0.21	1300	CFM	1468	1383	1298	1214	1122	1018	893	—	—	—
			Sones	9.0	8.7	8.4	8.1	7.7	7.3	7.1	—	—	—
1/2	0.35	1550	CFM	1750	1679	1607	1536	1466	1393	1313	1223	1122	—
			Sones	12.0	11.5	11.2	11.1	11.0	10.7	10.4	10.0	9.7	—
1/2	0.48	1725	CFM	1948	1883	1818	1754	1692	1628	1562	1492	1416	1239
			Sones	14.7	14.1	13.8	13.6	13.5	13.4	13.2	13.0	12.6	11.9

Performance certified is for installation type B: Free inlet, Ducted outlet. Performance ratings do not include the effects of appurtenances (accessories). The sound ratings shown are loudness values in fan sones at 5 ft. (1.5 m) in a hemispherical free field calculated per AMCA Standard 301. Values shown are for installation type B: Free inlet hemispherical fan sone levels.