

**Centrifugal Belt-Drive In-Line Duct Blower**

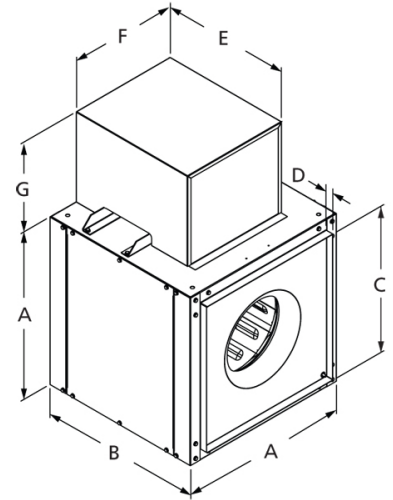


Designed for indoor clean air applications including intake, exhaust, return, or make-up air systems in industrial or commercial buildings. Rugged construction allows fan to be installed in ductwork either horizontally or vertically. Duct collars provide easy duct connections. Access panels are included on each side of the unit.

- Aluminum backward inclined, nonoverloading centrifugal wheel design
- UL/cUL 705 Listed for Power Ventilators
- Maximum inlet air temperature: 160° F
- Bearing and motor cover provide longer service life
- Sealed pillow block bearings

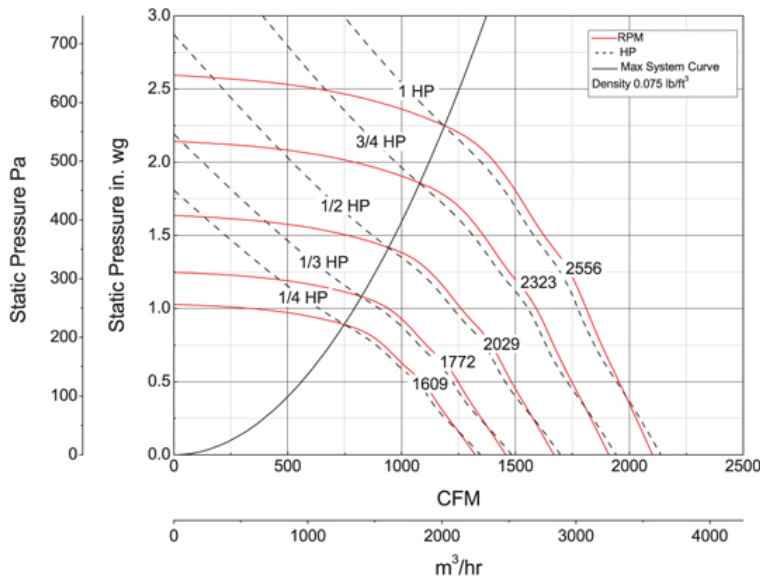


Dayton Electric Mfg. Co. certifies that the blowers shown herein are licensed to bear the AMCA seal. The ratings shown are based on tests and procedures performed in accordance with AMCA Publication 211 and AMCA Publication 311 and comply with the requirements of the AMCA Certified Ratings Program.



<b>A</b>	<b>B</b>	<b>C</b>	<b>D</b>	<b>E</b>	<b>F</b>
17 in	21 in	13 7/8 in	1 in	17 3/8 in	16 in
<b>G</b>					
12 1/2 in					

**Performance Characteristics**



**Construction Features**

<b>Impeller Diameter (Typ.)</b>	11 1/2 in
<b>Impeller Type</b>	Backward Inclined Centrifugal
<b>Impeller Material</b>	Aluminum
<b>Max Inlet Temp</b>	160 °F
<b>Bearing Type</b>	Sealed Pillow Block
<b>Drive Package Description</b>	Drives By Others
<b>Warranty Length</b>	1 Year

**Air & Sound Performance**

Motor HP	Max BHP	Fan RPM	CFM @	0.000" SP	0.125" SP	0.250" SP	0.375" SP	0.500" SP	0.625" SP	0.750" SP	0.875" SP	1.000" SP	1.250" SP	1.500" SP	1.750" SP	2.000" SP
1/4	0.26	1609	CFM	1324	1265	1207	1149	1088	1003	917	772	—	—	—	—	—
			Sones	15.4	15.4	15.0	14.2	13.4	12.4	11.8	10.9	—	—	—	—	—
1/3	0.35	1772	CFM	1458	1405	1352	1298	1247	1187	1110	1035	939	—	—	—	—
			Sones	16.9	16.6	16.4	15.7	15.5	14.8	14.3	13.8	13.1	—	—	—	—
1/2	0.52	2029	CFM	1669	1623	1577	1530	1484	1439	1396	1329	1262	1119	—	—	—
			Sones	19.9	19.8	19.6	19.5	19.4	19.0	18.6	18.2	18.2	17.2	—	—	—
3/4	0.79	2323	CFM	1911	1871	1830	1790	1749	1708	1668	1630	1591	1472	1358	1197	—
			Sones	23.0	23.0	23.0	23.0	23.0	23.0	23.0	23.0	23.0	22.0	21.0	20.0	21.0
1	1.05	2556	CFM	2103	2066	2029	1993	1956	1919	1882	1845	1810	1734	1626	1522	1402
			Sones	26.0	26.0	26.0	26.0	25.0	26.0	26.0	26.0	26.0	25.0	25.0	24.0	22.0

Performance certified is for installation type B: Free inlet, Ducted outlet. Power rating (BHP) does not include transmission losses. Performance ratings do not include the effects of appurtenances (accessories). The sound ratings shown are loudness values in fan sones at 5 ft. (1.5 m) in a hemispherical free field calculated per AMCA Standard 301. Values shown are for installation type B: Free inlet hemispherical fan sone levels.