

Centrifugal Belt-Drive Downblast Exhaust Ventilator



Designed to meet the general clean air exhaust requirements for industrial and commercial buildings. Features a fully rolled windband bead for increased stability and easy transport. Fresh outside air is drawn in under the motor cover to maximize motor life.

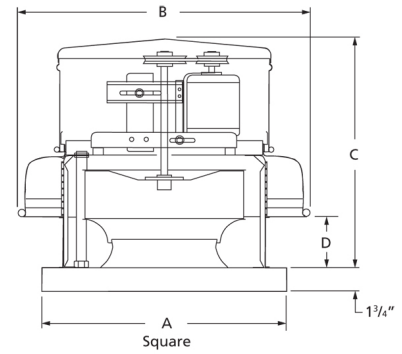
- Aluminum backward inclined, nonoverloading centrifugal wheel design
- Maximum inlet air temperature: 180° F
- NEMA 1 junction box located in motor enclosure
- Optional NEMA 1 and 4 disconnects available
- Regreaseable pillow block bearings
- Air handling quality bearings meet minimum of L10-100,000 hours
- UL/cUL 705 Listed for Power Ventilators

AMCA Sound & Air Dayton Electric Mfg. Co. certifies that the ventilators shown herein are licensed to bear the AMCA seal. The ratings shown are based on tests and procedures performed in accordance with AMCA Publication 211 and AMCA Publication 311 and comply with the requirements of the AMCA Certified Ratings Program.

UL/cUL 705

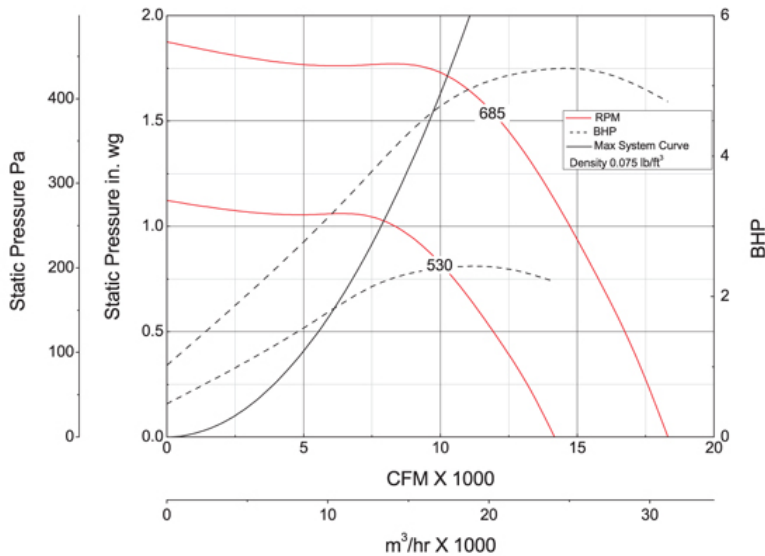


CSA Certified Motor



A	B	C	D
46 in	58 3/4 in	38 1/2 in	8 7/8 in

Performance Characteristics



Construction Features

Impeller Diameter (Typ.)	36 in
Impeller Type	Backward Inclined Centrifugal
Impeller Material	Aluminum
Max Inlet Temp	180 °F
Bearing Type	Regreaseable Pillow Block
Drive Package Description	Drives Assembled
Warranty Length	1 Year

Motor Information

Motor Item Number	53J909
Voltage	208-230/460
Hertz (Cycle)	60 Hz
Motor Phase	3
Motor Enclosure	Open Drip Proof
RPM	1,725 rpm
Full Load Amps	

Other Components

Component	Description	Item #
Fan Description	Exhaust Fan	—
Belt	A50 (QTY: 2)	3X546
Driver Sheave	2VP56x1-1/8	3X400
Driven Sheave	2BK140H	3X571
Driven Bushing	H x 1-1/4	3X579

Air & Sound Performance

Motor HP	Max BHP	Fan RPM	CFM @	0.000" SP	0.125" SP	0.250" SP	0.375" SP	0.500" SP	0.625" SP	0.750" SP	0.875" SP	1.000" SP	1.250" SP	1.500" SP
5	5.23	685	CFM	18,322	17,941	17,560	17,179	16,711	16,243	15,774	15,242	14,710	13,535	12,119
			Sones	30.0	30.0	29.0	29.0	28.0	28.0	26.0	26.0	25.0	24.0	23.0

Performance certified is for installation type A: Free inlet, Free outlet. Power rating (BHP) does not include transmission losses. Performance ratings include the effects of a birdscreen in the airstream. The sound ratings shown are loudness values in fan sones at 5 ft. (1.5 m) in a hemispherical free field calculated per AMCA Standard 301. Values shown are for installation type A: Free inlet hemispherical sone levels.

Catalog 405, January 2010

Operating Range of Drive Package

Turns Open	FRPM @ 0 TO	FRPM @ 1/2 TO	FRPM @ 1 TO	FRPM @ 1 1/2 TO	FRPM @ 2 TO	FRPM @ 2 1/2 TO	FRPM @ 3 TO	FRPM @ 3 1/2 TO	FRPM @ 4 TO	FRPM @ 4 1/2 TO	FRPM @ 5 TO
Approx. FRPM	685	671	657	644	631	617	604	591	577	564	—