

Axial Belt-Drive Downblast Exhaust Ventilator

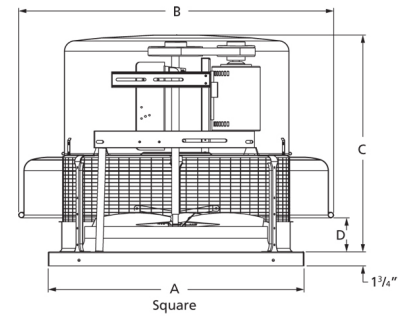


Designed for situations that require steady exhaust of clean air under low-to-moderate static pressures. Spun aluminum construction including a fully rolled bead on the windband, ensures stability and provides rigidity for lifting and transporting.

- Maximum inlet air temperature: 120° F
- NEMA 1 junction box located in motor enclosure
- Optional NEMA 1 and 4 disconnects available
- Regreaseable pillow block bearings
- UL/cUL 705 Listed for Power Ventilators
- Air handling quality bearings meet minimum of L10-100,000 hours

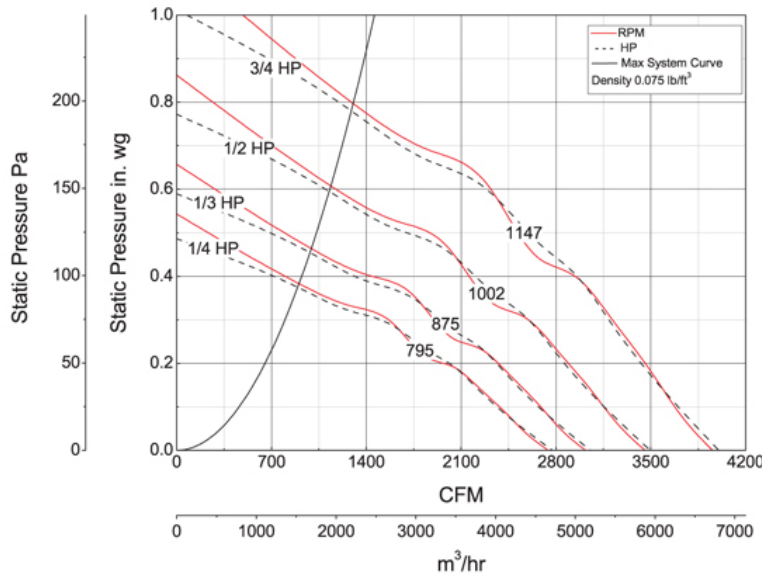


Dayton Electric Mfg. Co. certifies that the ventilators shown herein are licensed to bear the AMCA seal. The ratings shown are based on tests and procedures performed in accordance with AMCA Publication 211 and comply with the requirements of the AMCA Certified Ratings Program.



A	B	C	D
30 in	35 1/4 in	28 3/4 in	5 1/8 in

Performance Characteristics



Construction Features

Impeller Diameter (Typ.)	20 in
Impeller Type	Propeller
Impeller Material	Steel
Number of Blades	5
Max Inlet Temp	120 °F
Bearing Type	Regreaseable Pillow Block
Drive Package Description	Drives By Others
Warranty Length	1 Year

Air & Sound Performance

Motor HP	Max BHP	Fan RPM	CFM @	0.000" SP	0.125" SP	0.250" SP	0.375" SP	0.500" SP	0.625" SP	0.750" SP
1/4	0.26	795	CFM	2742	2296	1725	960	—	—	—
			Sones	—	—	—	—	—	—	—
1/3	0.34	875	CFM	3018	2610	2109	1612	—	—	—
			Sones	—	—	—	—	—	—	—
1/2	0.52	1002	CFM	3456	3092	2743	2228	1795	—	—
			Sones	—	—	—	—	—	—	—
3/4	0.78	1147	CFM	3957	3625	3337	3012	2532	2219	1547
			Sones	—	—	—	—	—	—	—

Performance certified is for installation type A: Free inlet, Free outlet. Power rating (BHP) does not include transmission losses. Performance ratings include the effects of a birdscreen in the airstream.