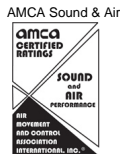


Centrifugal Belt-Drive Downblast Exhaust Ventilator

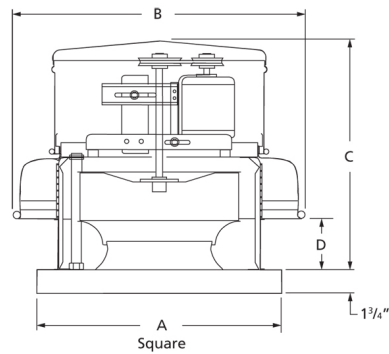


Designed to meet the general clean air exhaust requirements for industrial and commercial buildings. Features a fully rolled windband bead for increased stability and easy transport. Fresh outside air is drawn in under the motor cover to maximize motor life.

- Aluminum backward inclined, nonoverloading centrifugal wheel design
- Maximum inlet air temperature: 180° F
- NEMA 1 junction box located in motor enclosure
- Optional NEMA 1 and 4 disconnects available
- Regreaseable pillow block bearings
- Air handling quality bearings meet minimum of L10-100,000 hours
- UL/cUL 705 Listed for Power Ventilators

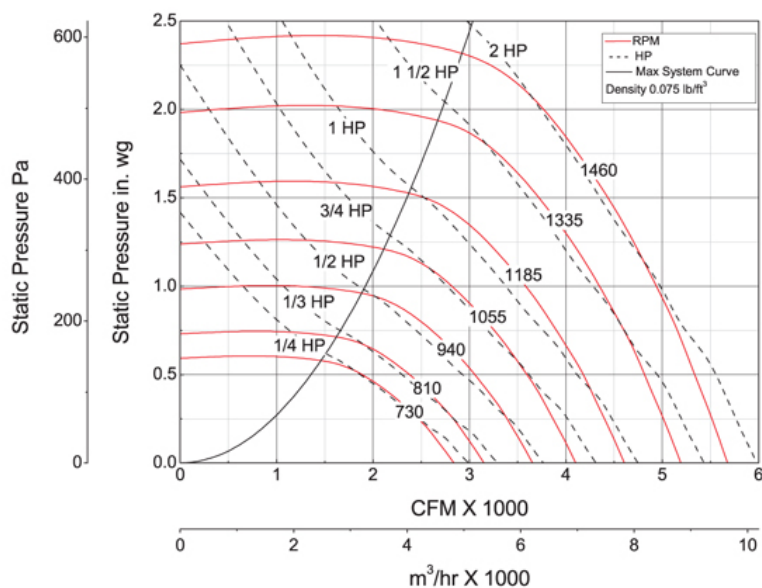


Dayton Electric Mfg. Co. certifies that the ventilators shown herein are licensed to bear the AMCA seal. The ratings shown are based on tests and procedures performed in accordance with AMCA Publication 211 and AMCA Publication 311 and comply with the requirements of the AMCA Certified Ratings Program.



A	B	C	D
30 in	35 1/2 in	34 3/8 in	5 1/2 in

Performance Characteristics



Construction Features

Impeller Diameter (Typ.)	18 1/2 in
Impeller Type	Backward Inclined Centrifugal
Impeller Material	Aluminum
Max Inlet Temp	180 °F
Bearing Type	Regreaseable Pillow Block
Drive Package Description	Drives By Others
Warranty Length	1 Year

Air & Sound Performance

Motor HP	Max BHP	Fan RPM	CFM @	0.000" SP	0.125" SP	0.250" SP	0.375" SP	0.500" SP	0.625" SP	0.750" SP	0.875" SP	1.000" SP	1.250" SP	1.500" SP	1.750" SP	2.000" SP
1/4	0.26	730	CFM	2839	2668	2469	2213	1882	—	—	—	—	—	—	—	—
			Sones	7.4	8.7	7.2	7.4	6.7	—	—	—	—	—	—	—	—
1/3	0.35	810	CFM	3150	2997	2832	2624	2375	2053	—	—	—	—	—	—	—
			Sones	8.8	9.9	8.7	8.4	8.2	7.5	—	—	—	—	—	—	—
1/2	0.54	940	CFM	3655	3527	3388	3234	3052	2844	2601	2272	—	—	—	—	—
			Sones	12.7	12.8	12.0	11.4	11.1	10.6	10.3	9.8	—	—	—	—	—
3/4	0.77	1055	CFM	4102	3990	3867	3742	3596	3432	3252	3050	2811	—	—	—	—
			Sones	16.2	15.7	14.9	14.4	14.0	13.5	12.9	12.7	12.4	—	—	—	—
1	1.10	1185	CFM	4608	4508	4401	4290	4179	4046	3900	3753	3575	3178	2499	—	—
			Sones	19.0	18.4	17.8	17.4	17.1	16.7	16.2	15.8	15.4	14.7	13.7	—	—
1 1/2	1.57	1335	CFM	5191	5102	5010	4913	4814	4716	4599	4475	4344	4052	3713	3262	—
			Sones	22.0	22.0	21.0	21.0	21.0	20.0	19.9	19.5	19.2	18.7	18.2	17.6	—
2	2.05	1460	CFM	5677	5596	5514	5425	5336	5246	5155	5049	4938	4699	4426	4123	3765
			Sones	26.0	25.0	24.0	24.0	24.0	24.0	23.0	23.0	23.0	23.0	22.0	22.0	22.0

Performance certified is for installation type A: Free inlet, Free outlet. Power rating (BHP) does not include transmission losses. Performance ratings include the effects of a birdscreen in the airstream. The sound ratings shown are loudness values in fan sones at 5 ft. (1.5 m) in a hemispherical free field calculated per AMCA Standard 301. Values shown are for installation type A: Free inlet hemispherical sone levels.