

Centrifugal Belt-Drive Downblast Exhaust Ventilator

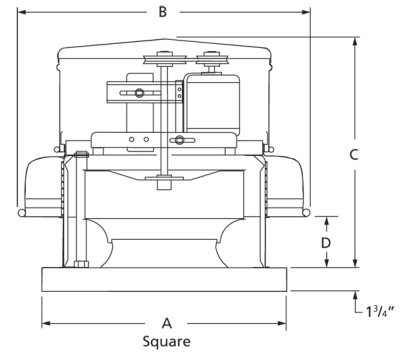


Designed to meet the general clean air exhaust requirements for industrial and commercial buildings. Features a fully rolled windband bead for increased stability and easy transport. Fresh outside air is drawn in under the motor cover to maximize motor life.

- Aluminum backward inclined, nonoverloading centrifugal wheel design
- Maximum inlet air temperature: 180° F
- NEMA 1 junction box located in motor enclosure
- Optional NEMA 1 and 4 disconnects available
- Regreaseable pillow block bearings
- Air handling quality bearings meet minimum of L10-100,000 hours
- UL/cUL 705 Listed for Power Ventilators

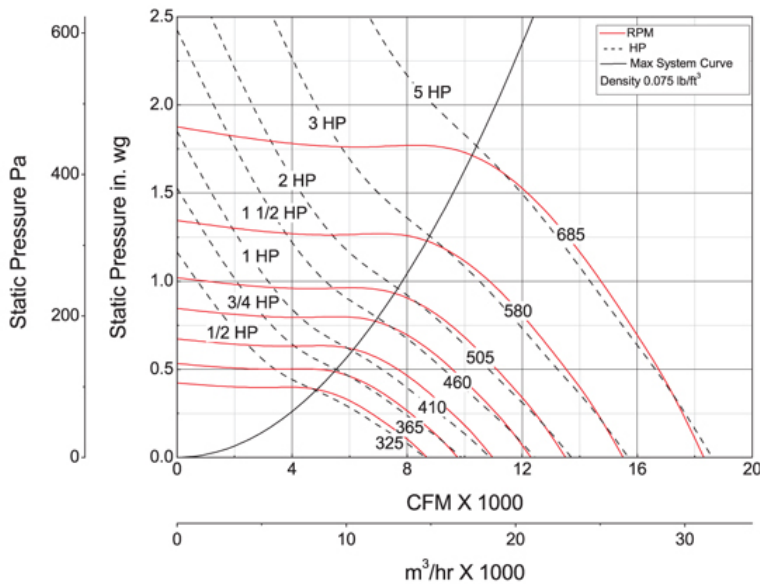


Dayton Electric Mfg. Co. certifies that the ventilators shown herein are licensed to bear the AMCA seal. The ratings shown are based on tests and procedures performed in accordance with AMCA Publication 211 and AMCA Publication 311 and comply with the requirements of the AMCA Certified Ratings Program.



A	B	C	D
46 in	58 3/4 in	38 1/2 in	8 7/8 in

Performance Characteristics



Construction Features

Impeller Diameter (Typ.)	36 in
Impeller Type	Backward Inclined Centrifugal
Impeller Material	Aluminum
Max Inlet Temp	180 °F
Bearing Type	Regreaseable Pillow Block
Drive Package Description	Drives By Others
Warranty Length	1 Year

Air & Sound Performance

Motor HP	Max BHP	Fan RPM	CFM @	0.000" SP	0.125" SP	0.250" SP	0.375" SP	0.500" SP	0.625" SP	0.750" SP	0.875" SP	1.000" SP	1.250" SP	1.500" SP
1/2	0.56	325	CFM	8693	7830	6756	5001	—	—	—	—	—	—	—
			Sones	8.7	8.0	6.8	5.6	—	—	—	—	—	—	—
3/4	0.79	365	CFM	9763	9024	8109	7013	—	—	—	—	—	—	—
			Sones	10.8	10.0	8.9	7.9	—	—	—	—	—	—	—
1	1.12	410	CFM	10,966	10,330	9558	8686	7641	—	—	—	—	—	—
			Sones	13.7	13.3	11.9	10.9	9.6	—	—	—	—	—	—
1 1/2	1.59	460	CFM	12,304	11,737	11,085	10,360	9568	8607	7096	—	—	—	—
			Sones	15.9	15.6	14.8	14.1	13.1	12.1	10.9	—	—	—	—
2	2.09	505	CFM	13,507	12,991	12,431	11,795	11,096	10,368	9473	8163	—	—	—
			Sones	18.1	17.8	17.3	16.8	16.5	15.5	14.7	13.9	—	—	—
3	3.18	580	CFM	15,513	15,064	14,614	14,077	13,523	12,917	12,289	11,592	10,813	—	—
			Sones	22.0	22.0	22.0	21.0	21.0	20.0	19.1	18.3	17.6	—	—
5	5.23	685	CFM	18,322	17,941	17,560	17,179	16,711	16,243	15,774	15,242	14,710	13,535	12,119
			Sones	30.0	30.0	29.0	29.0	28.0	28.0	26.0	25.0	24.0	23.0	22.0

Performance certified is for installation type A: Free inlet, Free outlet. Power rating (BHP) does not include transmission losses. Performance ratings include the effects of a birdscreen in the airstream. The sound ratings shown are loudness values in fan sones at 5 ft. (1.5 m) in a hemispherical free field calculated per AMCA Standard 301. Values shown are for installation type A: Free inlet hemispherical sone levels.