

Axial Belt-Drive Upblast Exhaust Ventilator

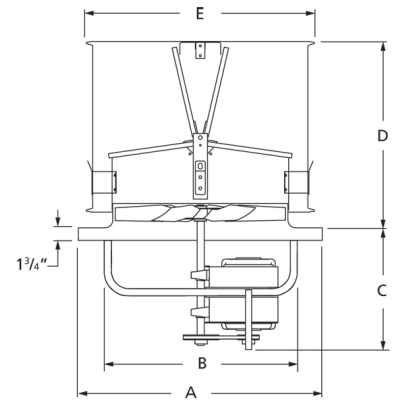


Designed for use in industrial and commercial buildings such as warehouses, manufacturing facilities, foundries, and laboratories. Housing is constructed of heavy gauge galvanized steel. The windband is removable for easy inspection. Lifting lugs are provided.

- Maximum inlet air temperature: 120° F
- UL/cUL 705 Listed for Power Ventilators
- Air handling quality bearings meet minimum of L10-100,000 hours
- Regreaseable pillow block bearings

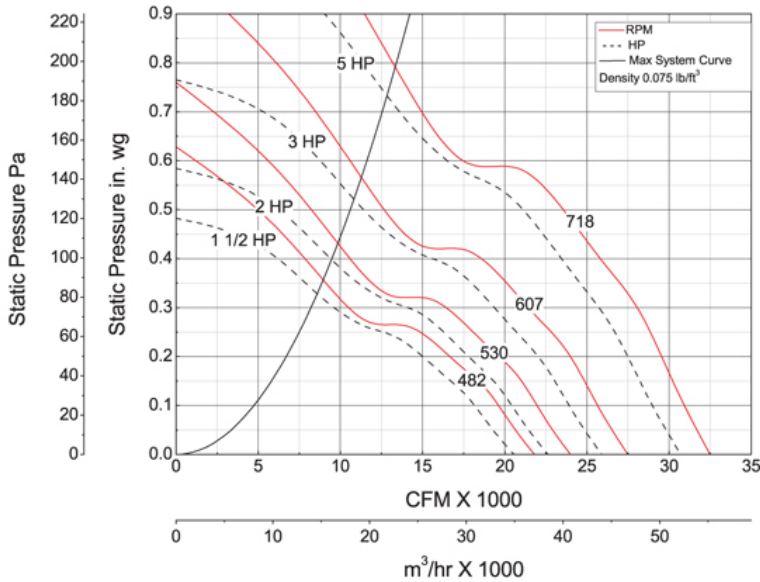


Dayton Electric Mfg. Co. certifies that the ventilators shown herein are licensed to bear the AMCA seal. The ratings shown are based on tests and procedures performed in accordance with AMCA Publication 211 and AMCA Publication 311 and comply with the requirements of the AMCA Certified Ratings Program.



A	B	C	D	E
50 1/2 in	44 1/4 in	20 in	38 in	49 5/8 in

Performance Characteristics



Construction Features

Impeller Diameter (Typ.)	42 in
Impeller Type	Propeller
Impeller Material	Steel
Number of Blades	5
Max Inlet Temp	120 °F
Bearing Type	Regreaseable Pillow Block
Drive Package Description	Drives By Others
Warranty Length	1 Year

Air & Sound Performance

Motor HP	Max BHP	Fan RPM	CFM @	0.000" SP	0.125" SP	0.250" SP	0.375" SP	0.500" SP	0.625" SP	0.750" SP
1 1/2	1.81	482	CFM	21,814	19,068	14,632	—	—	—	—
			Sones	22.0	21.0	23.0	—	—	—	
2	2.41	530	CFM	23,987	21,470	18,061	11,471	—	—	—
			Sones	25.0	24.0	25.0	24.0	—	—	
3	3.61	607	CFM	27,472	25,246	22,743	19,228	12,915	—	—
			Sones	30.0	29.0	29.0	31.0	30.0	—	—
5	5.98	718	CFM	32,495	30,584	28,793	26,363	23,522	17,009	14,105
			Sones	39.0	39.0	42.0	41.0	39.0	43.0	46.0

Performance certified is for installation type A: Free inlet, Free outlet. Power rating (BHP) does not include transmission losses. Performance ratings do not include the effects of appurtenances (accessories). The sound ratings shown are loudness values in fan sones at 5 ft. (1.5 m) in a hemispherical free field calculated per AMCA Standard 301. Values shown are for installation type A: Free inlet hemispherical sone levels.