

## Variable Speed Electronically Commutated (EC) Ventilator



- Aluminum backward inclined, nonoverloading centrifugal wheel design
- Maximum inlet air temperature: 130° F
- NEMA 1 junction box located in motor enclosure
- Optional NEMA 1 and 4 disconnects available
- High-efficiency brushless DC motor
- UL/cUL 705 Listed for Power Ventilators



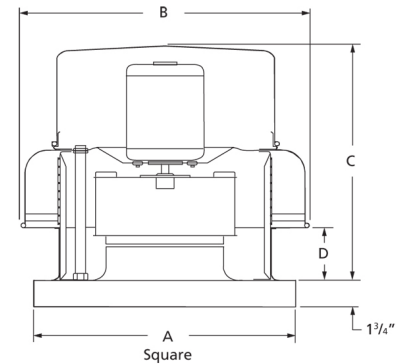
**GREEN Product**

- Variable Speed capable of 80% turn down at a minimum of 85% efficiency at all speeds
- Meets Minimum & Optimize Energy Performance

AMCA Sound & Air



UL/cUL 705



A	B	C	D
22 in	24 3/8 in	23 3/4 in	4 3/8 in

### Performance Characteristics

No Fan Curve Available.

### Construction Features

<b>Impeller Diameter (Typ.)</b>	8 1/4 in
<b>Impeller Type</b>	Backward Inclined Centrifugal
<b>Impeller Material</b>	Aluminum
<b>Max Inlet Temp</b>	130 °F
<b>Warranty Length</b>	1 Year

### Motor Information

<b>Motor Item Number</b>	4YU32
<b>Voltage</b>	115
<b>Hertz (Cycle)</b>	60 Hz
<b>Motor Phase</b>	1
<b>Motor Enclosure</b>	Vented
<b>RPM</b>	1,550 rpm, 1,300 rpm, 1,050 rpm
<b>Full Load Amps</b>	1.3/0.92/0.68

### Air & Sound Performance

Motor HP	Max BHP	Fan RPM	CFM @	0.000" SP	0.125" SP	0.250" SP	0.375" SP
1/30	0.01	1050	CFM	253	179	—	—
			Sones	2.7	1.5	—	—
1/30	0.02	1300	CFM	314	257	171	—
			Sones	4.1	3.3	2.6	—
1/30	0.03	1550	CFM	374	327	274	190
			Sones	5.6	5.2	4.7	4.1