

Centrifugal Belt-Drive In-Line Duct Blower

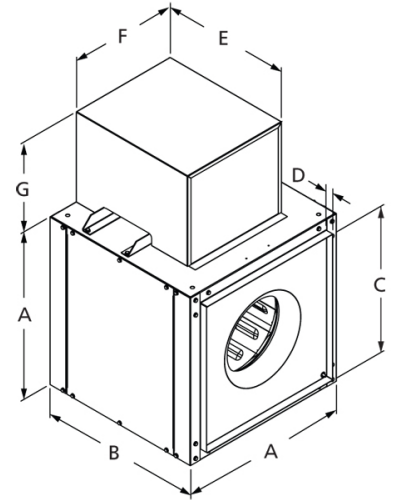


Designed for indoor clean air applications including intake, exhaust, return, or make-up air systems in industrial or commercial buildings. Rugged construction allows fan to be installed in ductwork either horizontally or vertically. Duct collars provide easy duct connections. Access panels are included on each side of the unit.

- Aluminum backward inclined, nonoverloading centrifugal wheel design
- UL/cUL 705 Listed for Power Ventilators
- Maximum inlet air temperature: 160° F
- Bearing and motor cover provide longer service life
- Regreaseable pillow block bearings

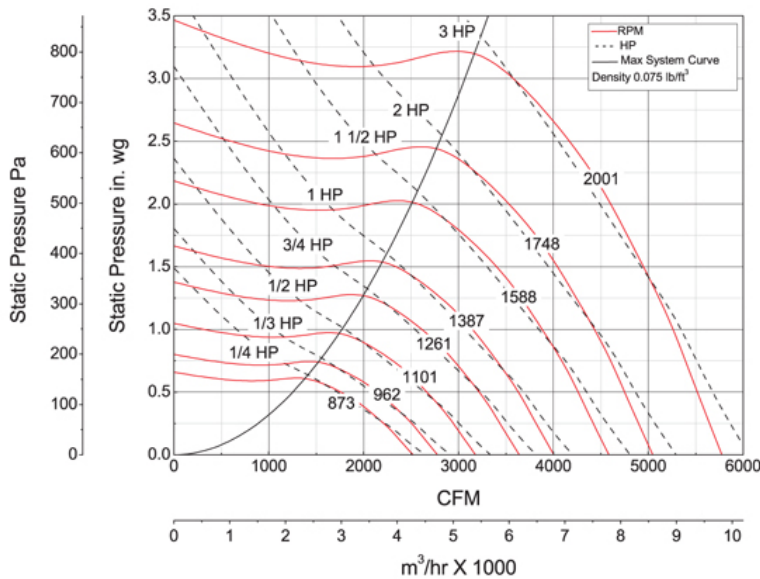


Dayton Electric Mfg. Co. certifies that the blowers shown herein are licensed to bear the AMCA seal. The ratings shown are based on tests and procedures performed in accordance with AMCA Publication 211 and AMCA Publication 311 and comply with the requirements of the AMCA Certified Ratings Program.



A	B	C	D	E	F
26 in	26 in	22 7/8 in	1 in	21 in	17 in
G					
13 3/8 in					

Performance Characteristics



Construction Features

Impeller Diameter (Typ.)	16 in
Impeller Type	Backward Inclined Centrifugal
Impeller Material	Aluminum
Max Inlet Temp	160 °F
Bearing Type	Regreaseable Pillow Block
Drive Package Description	Drives By Others
Warranty Length	1 Year

Air & Sound Performance

Motor HP	Max BHP	Fan RPM	CFM @	0.000" SP	0.125" SP	0.250" SP	0.375" SP	0.500" SP	0.625" SP	0.750" SP	0.875" SP	1.000" SP	1.250" SP	1.500" SP	1.750" SP	2.000" SP	2.250" SP	2.500" SP	2.750" SP	3.000" SP	
1/4	0.26	873	CFM	2520	2373	2209	2015	1759	—	—	—	—	—	—	—	—	—	—	—	—	—
			Sones	9.1	8.8	8.6	8.4	8.2	—	—	—	—	—	—	—	—	—	—	—	—	—
1/3	0.35	962	CFM	2777	2643	2504	2339	2150	1893	—	—	—	—	—	—	—	—	—	—	—	—
			Sones	10.3	9.9	9.6	9.5	9.3	9.2	—	—	—	—	—	—	—	—	—	—	—	—
1/2	0.52	1101	CFM	3179	3061	2944	2812	2665	2504	2301	2044	—	—	—	—	—	—	—	—	—	—
			Sones	12.6	12.4	12.1	11.8	11.4	11.3	11.2	11.1	—	—	—	—	—	—	—	—	—	—
3/4	0.78	1261	CFM	3641	3538	3436	3333	3212	3087	2946	2795	2611	2071	—	—	—	—	—	—	—	—
			Sones	16.0	15.5	15.1	14.8	14.6	14.5	14.4	13.8	13.2	11.8	—	—	—	—	—	—	—	—
1	1.05	1387	CFM	4004	3911	3818	3725	3628	3515	3402	3274	3146	2815	2311	—	—	—	—	—	—	—
			Sones	18.5	18.0	17.5	17.3	17.2	17.0	16.9	16.7	16.1	14.7	13.1	—	—	—	—	—	—	—
1 1/2	1.56	1588	CFM	4585	4503	4422	4341	4259	4178	4079	3980	3880	3656	3389	3055	2566	—	—	—	—	—
			Sones	23.0	22.0	22.0	21.0	21.0	22.0	22.0	22.0	21.0	20.0	18.9	17.5	16.1	—	—	—	—	—
2	2.08	1748	CFM	5047	4973	4899	4825	4751	4677	4603	4514	4425	4240	4037	3802	3528	2185	—	—	—	—
			Sones	29.0	28.0	27.0	26.0	26.0	26.0	27.0	27.0	27.0	26.0	24.0	23.0	22.0	19.9	—	—	—	—
3	3.12	2001	CFM	5777	5713	5648	5584	5519	5454	5390	5325	5260	5103	4946	4774	4596	4392	4160	3883	3566	—
			Sones	42.0	40.0	38.0	37.0	36.0	36.0	36.0	37.0	38.0	39.0	38.0	36.0	34.0	31.0	29.0	27.0	26.0	—

Performance certified is for installation type B: Free inlet, Ducted outlet. Power rating (BHP) does not include transmission losses. Performance ratings do not include the effects of appurtenances (accessories). The sound ratings shown are loudness values in fan sones at 5 ft. (1.5 m) in a hemispherical free field calculated per AMCA Standard 301. Values shown are for installation type B: Free inlet hemispherical fan sone levels.