

Centrifugal Belt-Drive In-Line Duct Blower

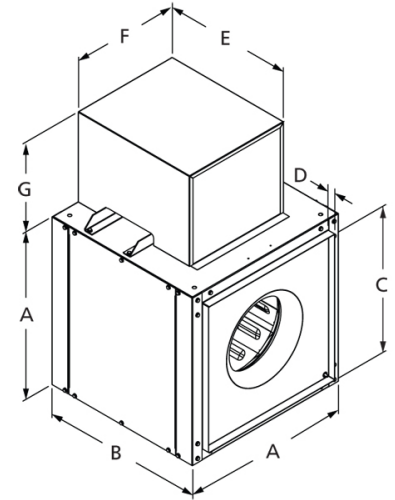


Designed for indoor clean air applications including intake, exhaust, return, or make-up air systems in industrial or commercial buildings. Rugged construction allows fan to be installed in ductwork either horizontally or vertically. Duct collars provide easy duct connections. Access panels are included on each side of the unit.

- Aluminum backward inclined, nonoverloading centrifugal wheel design
- UL/cUL 705 Listed for Power Ventilators
- Maximum inlet air temperature: 160° F
- Bearing and motor cover provide longer service life
- Regreaseable pillow block bearings

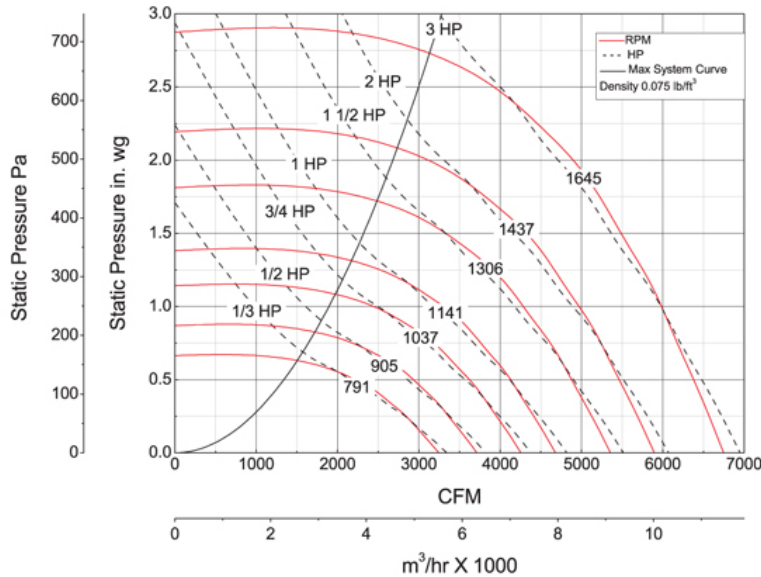


Dayton Electric Mfg. Co. certifies that the blowers shown herein are licensed to bear the AMCA seal. The ratings shown are based on tests and procedures performed in accordance with AMCA Publication 211 and AMCA Publication 311 and comply with the requirements of the AMCA Certified Ratings Program.



A	B	C	D	E	F
28 in	28 in	23 7/8 in	1 1/2 in	21 in	17 in
G					
13 3/8 in					

Performance Characteristics



Construction Features

Impeller Diameter (Typ.)	18 in
Impeller Type	Backward Inclined Centrifugal
Impeller Material	Aluminum
Max Inlet Temp	160 °F
Bearing Type	Regreaseable Pillow Block
Drive Package Description	Drives By Others
Warranty Length	1 Year

Air & Sound Performance

Motor HP	Max BHP	Fan RPM	CFM @	0.000" SP	0.125" SP	0.250" SP	0.375" SP	0.500" SP	0.625" SP	0.750" SP	0.875" SP	1.000" SP	1.250" SP	1.500" SP	1.750" SP	2.000" SP	2.250" SP	2.500" SP
1/3	0.35	791	CFM	3244	3051	2845	2574	2217	1564	—	—	—	—	—	—	—	—	—
			Sones	10.4	10.6	10.9	10.3	9.6	9.1	—	—	—	—	—	—	—	—	—
1/2	0.52	905	CFM	3712	3546	3366	3167	2928	2621	2175	—	—	—	—	—	—	—	—
			Sones	12.2	12.2	12.1	11.9	11.6	11.3	10.8	—	—	—	—	—	—	—	—
3/4	0.79	1037	CFM	4253	4109	3955	3798	3616	3408	3179	2865	2432	—	—	—	—	—	—
			Sones	14.9	14.5	14.2	13.9	13.5	13.3	13.4	13.3	12.8	—	—	—	—	—	—
1	1.04	1141	CFM	4680	4549	4412	4269	4127	3949	3760	3567	3290	2523	—	—	—	—	—
			Sones	17.1	16.5	16.1	15.7	15.4	15.0	15.0	15.0	14.9	13.8	—	—	—	—	—
1 1/2	1.57	1306	CFM	5357	5242	5128	5003	4878	4753	4610	4448	4281	3884	3332	—	—	—	—
			Sones	21.0	20.0	19.5	19.1	18.8	18.6	18.3	18.0	17.8	17.5	16.8	—	—	—	—
2	2.09	1437	CFM	5894	5790	5686	5577	5463	5350	5236	5111	4964	4662	4298	3814	3106	—	—
			Sones	24.0	23.0	22.0	22.0	22.0	22.0	22.0	21.0	21.0	21.0	19.7	19.6	19.1	18.2	—
3	3.13	1645	CFM	6747	6656	6566	6475	6377	6278	6179	6080	5981	5744	5485	5216	4866	4451	3898
			Sones	29.0	29.0	28.0	28.0	28.0	28.0	28.0	27.0	27.0	27.0	26.0	24.0	24.0	24.0	23.0

Performance certified is for installation type B: Free inlet, Ducted outlet. Power rating (BHP) does not include transmission losses. Performance ratings do not include the effects of appurtenances (accessories). The sound ratings shown are loudness values in fan sones at 5 ft. (1.5 m) in a hemispherical free field calculated per AMCA Standard 301. Values shown are for installation type B: Free inlet hemispherical fan sone levels.

Catalog 405, January 2010