

Centrifugal Belt-Drive In-Line Duct Blower

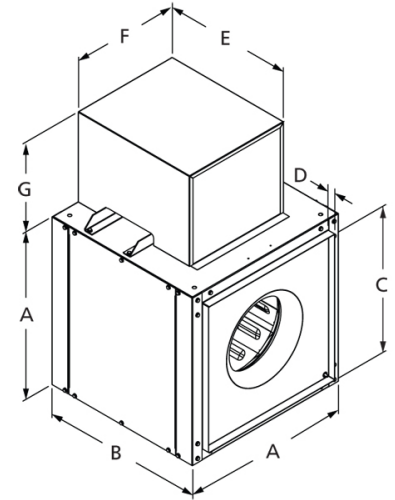


Designed for indoor clean air applications including intake, exhaust, return, or make-up air systems in industrial or commercial buildings. Rugged construction allows fan to be installed in ductwork either horizontally or vertically. Duct collars provide easy duct connections. Access panels are included on each side of the unit.

- Aluminum backward inclined, nonoverloading centrifugal wheel design
- UL/cUL 705 Listed for Power Ventilators
- Maximum inlet air temperature: 160° F
- Bearing and motor cover provide longer service life
- Regreaseable pillow block bearings

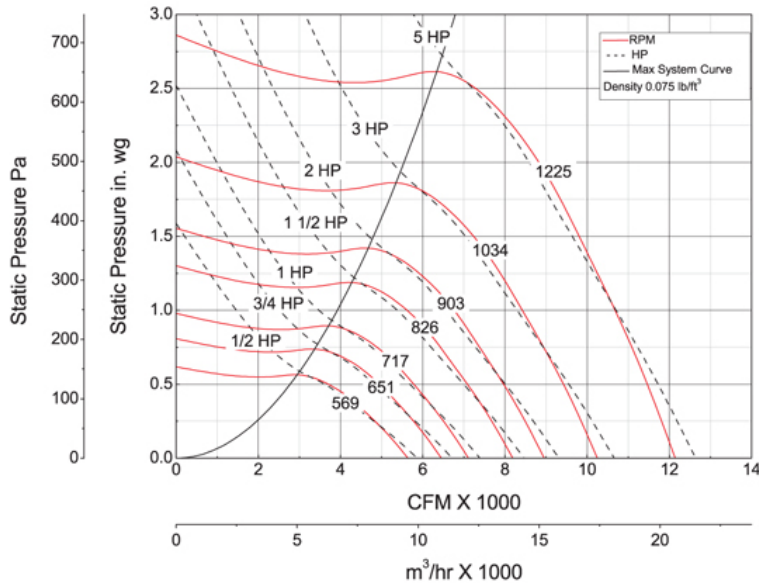


Dayton Electric Mfg. Co. certifies that the blowers shown herein are licensed to bear the AMCA seal. The ratings shown are based on tests and procedures performed in accordance with AMCA Publication 211 and AMCA Publication 311 and comply with the requirements of the AMCA Certified Ratings Program.



A	B	C	D	E	F
39 in	34 in	34 7/8 in	1 1/2 in	25 3/5 in	18 in
G					
13 3/4 in					

Performance Characteristics



Construction Features

Impeller Diameter (Typ.)	24 in
Impeller Type	Backward Inclined Centrifugal
Impeller Material	Aluminum
Max Inlet Temp	160 °F
Bearing Type	Regreaseable Pillow Block
Drive Package Description	Drives By Others
Warranty Length	1 Year

Air & Sound Performance

Motor HP	Max BHP	Fan RPM	CFM @	0.000" SP	0.125" SP	0.250" SP	0.375" SP	0.500" SP	0.625" SP	0.750" SP	0.875" SP	1.000" SP	1.250" SP	1.500" SP	1.750" SP	2.000" SP	2.250" SP	2.500" SP
1/2	0.51	569	CFM	5641	5269	4833	4351	3685	—	—	—	—	—	—	—	—	—	—
			Sones	12.6	12.3	11.8	11.3	10.8	—	—	—	—	—	—	—	—	—	—
3/4	0.78	651	CFM	6454	6132	5768	5372	4946	4394	—	—	—	—	—	—	—	—	—
			Sones	14.5	14.3	13.9	13.5	12.9	12.2	—	—	—	—	—	—	—	—	—
1	1.04	717	CFM	7108	6816	6498	6156	5782	5386	4884	3951	—	—	—	—	—	—	—
			Sones	16.3	16.2	15.9	15.5	14.9	14.2	13.6	13.0	—	—	—	—	—	—	—
1 1/2	1.59	826	CFM	8188	7935	7680	7384	7086	6761	6425	6049	5604	—	—	—	—	—	—
			Sones	19.6	19.5	19.5	19.1	18.7	18.1	17.4	16.8	16.2	—	—	—	—	—	—
2	2.09	903	CFM	8952	8720	8488	8231	7960	7681	7384	7077	6756	5889	—	—	—	—	—
			Sones	23.0	22.0	22.0	22.0	22.0	21.0	20.0	19.6	18.9	17.9	—	—	—	—	—
3	3.14	1034	CFM	10,250	10,048	9845	9643	9409	9173	8936	8680	8421	7881	7219	6268	—	—	—
			Sones	28.0	28.0	27.0	27.0	27.0	26.0	26.0	25.0	25.0	23.0	22.0	22.0	21.0	—	—
5	5.20	1225	CFM	12,144	11,973	11,802	11,631	11,460	11,270	11,070	10,871	10,671	10,245	9804	9345	8797	8150	7124
			Sones	42.0	41.0	40.0	39.0	38.0	38.0	37.0	35.0	34.0	31.0	28.0	28.0	28.0	27.0	26.0

Performance certified is for installation type B: Free inlet, Ducted outlet. Power rating (BHP) does not include transmission losses. Performance ratings do not include the effects of appurtenances (accessories). The sound ratings shown are loudness values in fan sones at 5 ft. (1.5 m) in a hemispherical free field calculated per AMCA Standard 301. Values shown are for installation type B: Free inlet hemispherical fan sone levels.

Catalog 405, January 2010