

Centrifugal Belt-Drive In-Line Duct Blower

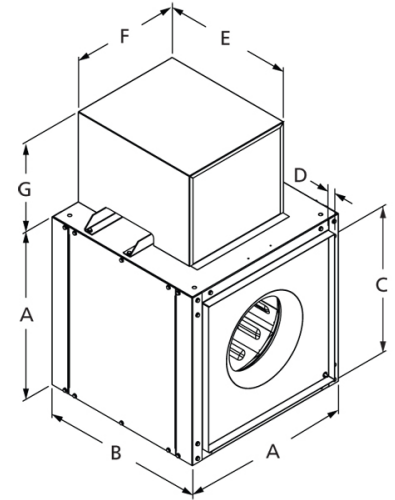


Designed for indoor clean air applications including intake, exhaust, return, or make-up air systems in industrial or commercial buildings. Rugged construction allows fan to be installed in ductwork either horizontally or vertically. Duct collars provide easy duct connections. Access panels are included on each side of the unit.

- Aluminum backward inclined, nonoverloading centrifugal wheel design
- UL/cUL 705 Listed for Power Ventilators
- Maximum inlet air temperature: 160° F
- Bearing and motor cover provide longer service life
- Regreaseable pillow block bearings

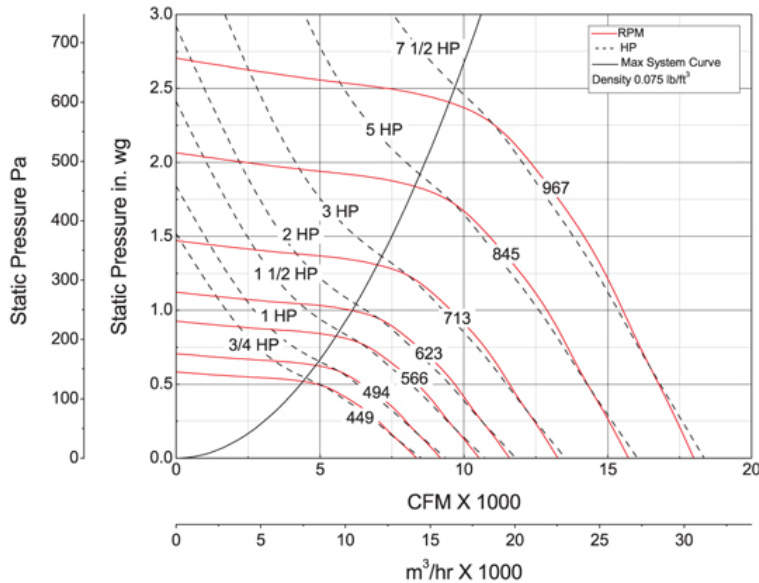


Dayton Electric Mfg. Co. certifies that the blowers shown herein are licensed to bear the AMCA seal. The ratings shown are based on tests and procedures performed in accordance with AMCA Publication 211 and AMCA Publication 311 and comply with the requirements of the AMCA Certified Ratings Program.



A	B	C	D	E	F
46 in	38 in	41 7/8 in	1 1/2 in	35 1/4 in	22 in
G					
18 in					

Performance Characteristics



Construction Features

Impeller Diameter (Typ.)	30 in
Impeller Type	Backward Inclined Centrifugal
Impeller Material	Aluminum
Max Inlet Temp	160 °F
Bearing Type	Regreaseable Pillow Block
Drive Package Description	Drives By Others
Warranty Length	1 Year

Air & Sound Performance

Motor HP	Max BHP	Fan RPM	CFM @	0.000" SP	0.125" SP	0.250" SP	0.375" SP	0.500" SP	0.625" SP	0.750" SP	0.875" SP	1.000" SP	1.250" SP	1.500" SP	1.750" SP	2.000" SP	2.250" SP
3/4	0.78	449	CFM	8353	7693	7033	6181	4827	—	—	—	—	—	—	—	—	—
			Sones	12.9	12.2	11.6	11.0	10.5	—	—	—	—	—	—	—	—	—
1	1.04	494	CFM	9190	8598	7982	7332	6450	4898	—	—	—	—	—	—	—	—
			Sones	15.6	14.7	13.8	12.9	12.0	11.6	—	—	—	—	—	—	—	—
1 1/2	1.57	566	CFM	10,530	10,022	9469	8956	8363	7611	6662	—	—	—	—	—	—	—
			Sones	17.7	17.2	16.6	15.9	15.1	14.2	13.5	—	—	—	—	—	—	—
2	2.09	623	CFM	11,590	11,129	10,636	10,150	9676	9119	8418	7570	—	—	—	—	—	—
			Sones	19.5	19.3	19.0	18.4	17.7	17.0	16.3	15.4	—	—	—	—	—	—
3	3.13	713	CFM	13,264	12,862	12,446	12,004	11,588	11,186	10,703	10,163	9547	7803	—	—	—	—
			Sones	23.0	23.0	23.0	23.0	22.0	22.0	21.0	20.0	19.8	18.5	—	—	—	—
5	5.23	845	CFM	15,720	15,380	15,041	14,680	14,307	13,943	13,604	13,265	12,860	11,957	10,839	9309	—	—
			Sones	27.0	27.0	27.0	28.0	28.0	27.0	27.0	27.0	26.0	25.0	24.0	23.0	—	—
7 1/2	7.85	967	CFM	17,990	17,693	17,396	17,099	16,776	16,450	16,124	15,822	15,526	14,888	14,171	13,273	12,242	11,047
			Sones	34.0	33.0	33.0	33.0	34.0	34.0	34.0	34.0	33.0	33.0	33.0	32.0	30.0	29.0

Performance certified is for installation type B: Free inlet, Ducted outlet. Power rating (BHP) does not include transmission losses. Performance ratings do not include the effects of appurtenances (accessories). The sound ratings shown are loudness values in fan sones at 5 ft. (1.5 m) in a hemispherical free field calculated per AMCA Standard 301. Values shown are for installation type B: Free inlet hemispherical fan sone levels.

Catalog 405, January 2010