

Centrifugal Belt-Drive Downblast Exhaust Ventilator



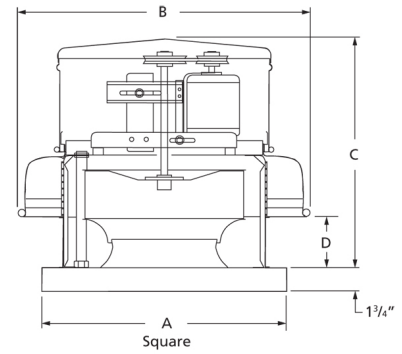
Designed to meet the general clean air exhaust requirements for industrial and commercial buildings. Features a fully rolled windband bead for increased stability and easy transport. Fresh outside air is drawn in under the motor cover to maximize motor life.

- Aluminum backward inclined, nonoverloading centrifugal wheel design
- Maximum inlet air temperature: 180° F
- NEMA 1 junction box located in motor enclosure
- Optional NEMA 1 and 4 disconnects available
- Regreaseable pillow block bearings
- Air handling quality bearings meet minimum of L10-100,000 hours
- UL/cUL 705 Listed for Power Ventilators



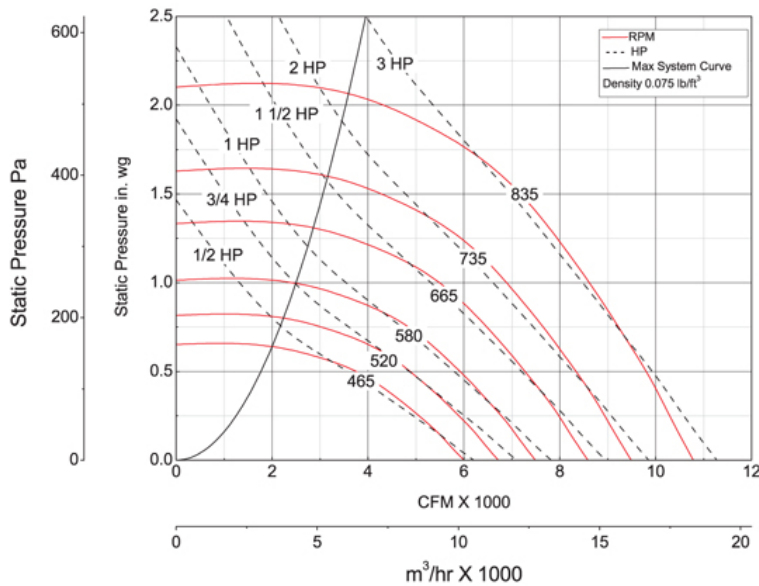
Dayton Electric Mfg. Co. certifies that the ventilators shown herein are licensed to bear the AMCA seal. The ratings shown are based on tests and procedures performed in accordance with AMCA Publication 211 and AMCA Publication 311 and comply with the requirements of the AMCA Certified Ratings Program.

UL/cUL 705



A	B	C	D
42 in	50 in	36 in	8 1/4 in

Performance Characteristics



Construction Features

Impeller Diameter (Typ.)	26 1/2 in
Impeller Type	Backward Inclined Centrifugal
Impeller Material	Aluminum
Max Inlet Temp	180 °F
Bearing Type	Regreaseable Pillow Block
Drive Package Description	Drives By Others
Warranty Length	1 Year

Air & Sound Performance

Motor HP	Max BHP	Fan RPM	CFM @	0.000" SP	0.125" SP	0.250" SP	0.375" SP	0.500" SP	0.625" SP	0.750" SP	0.875" SP	1.000" SP	1.250" SP	1.500" SP	1.750" SP	2.000" SP
1/2	0.54	465	CFM	6005	5570	5063	4484	3745	2322	—	—	—	—	—	—	—
			Sones	11.4	10.9	10.4	10.1	9.6	9.5	—	—	—	—	—	—	—
3/4	0.75	520	CFM	6716	6324	5898	5413	4869	4190	3008	—	—	—	—	—	—
			Sones	12.9	12.1	11.3	10.9	10.3	9.6	9.4	—	—	—	—	—	—
1	1.04	580	CFM	7491	7137	6775	6363	5912	5418	4826	3931	—	—	—	—	—
			Sones	14.4	13.7	13.0	12.6	12.2	11.6	11.0	10.3	—	—	—	—	—
1 1/2	1.57	665	CFM	8588	8278	7979	7637	7274	6884	6474	6016	5465	3608	—	—	—
			Sones	16.7	16.2	15.8	15.3	15.0	14.6	14.2	13.8	13.3	12.8	—	—	—
2	2.13	735	CFM	9493	9212	8938	8652	8335	8001	7649	7280	6878	5916	4236	—	—
			Sones	18.9	18.6	18.3	17.9	17.6	17.2	16.8	16.5	16.2	15.6	14.9	—	—
3	3.12	835	CFM	10,784	10,537	10,292	10,055	9794	9514	9225	8927	8606	7932	7157	6024	4294
			Sones	23.0	23.0	22.0	22.0	22.0	22.0	22.0	21.0	21.0	20.0	19.9	19.7	18.7

Performance certified is for installation type A: Free inlet, Free outlet. Power rating (BHP) does not include transmission losses. Performance ratings include the effects of a birdscreen in the airstream. The sound ratings shown are loudness values in fan sones at 5 ft. (1.5 m) in a hemispherical free field calculated per AMCA Standard 301. Values shown are for installation type A: Free inlet hemispherical sone levels.