

Centrifugal Belt-Drive Downblast Exhaust Ventilator

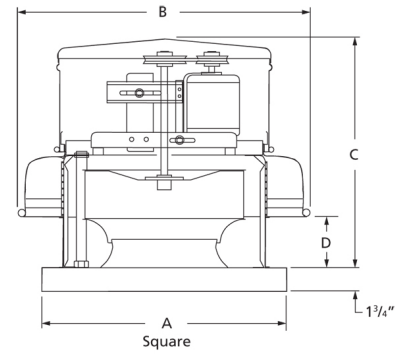


Designed to meet the general clean air exhaust requirements for industrial and commercial buildings. Features a fully rolled windband bead for increased stability and easy transport. Fresh outside air is drawn in under the motor cover to maximize motor life.

- Aluminum backward inclined, nonoverloading centrifugal wheel design
- Maximum inlet air temperature: 180° F
- NEMA 1 junction box located in motor enclosure
- Optional NEMA 1 and 4 disconnects available
- Regreaseable pillow block bearings
- Air handling quality bearings meet minimum of L10-100,000 hours
- UL/cUL 705 Listed for Power Ventilators

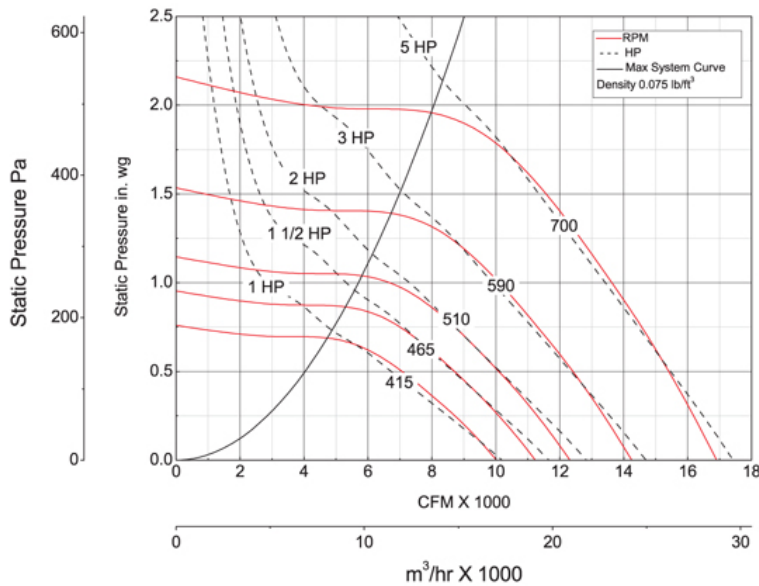


Dayton Electric Mfg. Co. certifies that the ventilators shown herein are licensed to bear the AMCA seal. The ratings shown are based on tests and procedures performed in accordance with AMCA Publication 211 and AMCA Publication 311 and comply with the requirements of the AMCA Certified Ratings Program.



A	B	C	D
46 in	58 3/4 in	38 1/2 in	8 7/8 in

Performance Characteristics



Construction Features

Impeller Diameter (Typ.)	33 1/2 in
Impeller Type	Backward Inclined Centrifugal
Impeller Material	Aluminum
Max Inlet Temp	180 °F
Bearing Type	Regreaseable Pillow Block
Drive Package Description	Drives By Others
Warranty Length	1 Year

Air & Sound Performance

Motor HP	Max BHP	Fan RPM	CFM @	0.000" SP	0.125" SP	0.250" SP	0.375" SP	0.500" SP	0.625" SP	0.750" SP	0.875" SP	1.000" SP	1.250" SP	1.500" SP	1.750" SP
1	1.07	415	CFM	10,024	9401	8713	7927	7050	5937	—	—	—	—	—	—
			Sones	12.6	11.9	11.3	10.6	10.0	9.4	—	—	—	—	—	—
1 1/2	1.51	465	CFM	11,232	10,683	10,087	9425	8706	7919	6966	—	—	—	—	—
			Sones	15.1	14.6	14.0	13.4	12.8	12.1	11.7	—	—	—	—	—
2	2.00	510	CFM	12,319	11,824	11,294	10,719	10,085	9420	8696	7864	6472	—	—	—
			Sones	17.7	17.2	16.6	16.1	15.6	15.0	14.4	14.0	13.9	—	—	—
3	3.09	590	CFM	14,251	13,825	13,376	12,908	12,408	11,864	11,307	10,715	10,081	8536	—	—
			Sones	22.0	21.0	21.0	20.0	19.8	19.3	18.8	18.3	17.7	17.1	—	—
5	5.17	700	CFM	16,908	16,549	16,185	15,798	15,408	14,987	14,564	14,094	13,624	12,640	11,538	10,184
			Sones	28.0	27.0	27.0	27.0	27.0	26.0	26.0	25.0	25.0	24.0	23.0	22.0

Performance certified is for installation type A: Free inlet, Free outlet. Power rating (BHP) does not include transmission losses. Performance ratings include the effects of a birdscreen in the airstream. The sound ratings shown are loudness values in fan sones at 5 ft. (1.5 m) in a hemispherical free field calculated per AMCA Standard 301. Values shown are for installation type A: Free inlet hemispherical sone levels.