

Centrifugal Belt-Drive Downblast Exhaust Ventilator

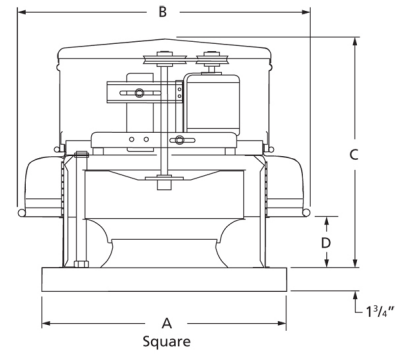


Designed to meet the general clean air exhaust requirements for industrial and commercial buildings. Features a fully rolled windband bead for increased stability and easy transport. Fresh outside air is drawn in under the motor cover to maximize motor life.

- Aluminum backward inclined, nonoverloading centrifugal wheel design
- Maximum inlet air temperature: 180° F
- NEMA 1 junction box located in motor enclosure
- Optional NEMA 1 and 4 disconnects available
- Regreaseable pillow block bearings
- Air handling quality bearings meet minimum of L10-100,000 hours
- UL/cUL 705 Listed for Power Ventilators

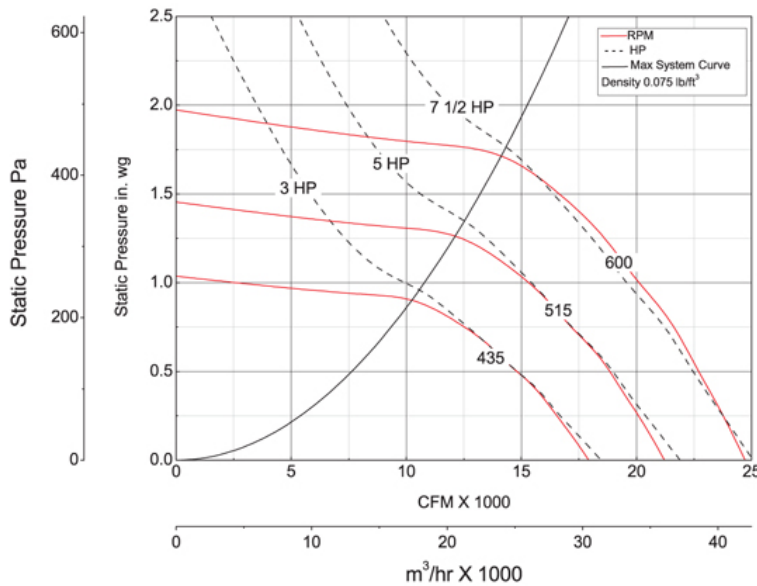


Dayton Electric Mfg. Co. certifies that the ventilators shown herein are licensed to bear the AMCA seal. The ratings shown are based on tests and procedures performed in accordance with AMCA Publication 211 and AMCA Publication 311 and comply with the requirements of the AMCA Certified Ratings Program.



A	B	C	D
52 in	65 1/4 in	44 in	9 3/4 in

Performance Characteristics



Construction Features

Impeller Diameter (Typ.)	42 in
Impeller Type	Backward Inclined Centrifugal
Impeller Material	Aluminum
Max Inlet Temp	180 °F
Bearing Type	Regreaseable Pillow Block
Drive Package Description	Drives By Others
Warranty Length	1 Year

Air & Sound Performance

Motor HP	Max BHP	Fan RPM	CFM @	0.000" SP	0.125" SP	0.250" SP	0.375" SP	0.500" SP	0.625" SP	0.750" SP	0.875" SP	1.000" SP	1.250" SP	1.500" SP
3	3.00	435	CFM	17,925	17,264	16,540	15,792	14,790	13,764	12,502	10,735	—	—	—
			Sones	19.0	18.4	17.8	17.3	16.6	16.4	16.5	16.6	—	—	—
5	4.98	515	CFM	21,222	20,663	20,081	19,459	18,826	18,046	17,162	16,302	15,254	12,312	—
			Sones	24.0	24.0	23.0	22.0	21.0	21.0	20.0	19.7	19.4	19.1	—
7 1/2	7.87	600	CFM	24,725	24,245	23,765	23,243	22,709	22,166	21,621	20,862	20,104	18,585	16,590
			Sones	30.0	30.0	30.0	29.0	27.0	27.0	26.0	26.0	26.0	26.0	26.0

Performance certified is for installation type A: Free inlet, Free outlet. Power rating (BHP) does not include transmission losses. Performance ratings include the effects of a birdscreen in the airstream. The sound ratings shown are loudness values in fan sones at 5 ft. (1.5 m) in a hemispherical free field calculated per AMCA Standard 301. Values shown are for installation type A: Free inlet hemispherical sone levels.