

Centrifugal Belt-Drive In-Line Duct Blower

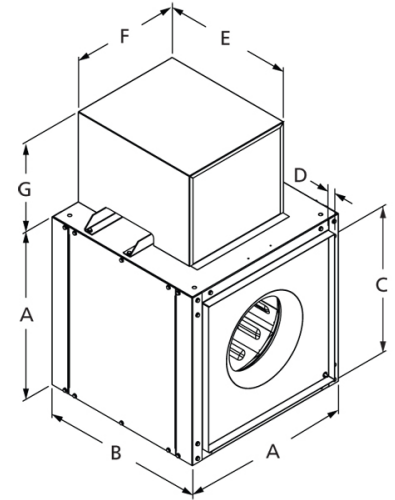


Designed for indoor clean air applications including intake, exhaust, return, or make-up air systems in industrial or commercial buildings. Rugged construction allows fan to be installed in ductwork either horizontally or vertically. Duct collars provide easy duct connections. Access panels are included on each side of the unit.

- Aluminum backward inclined, nonoverloading centrifugal wheel design
- UL/cUL 705 Listed for Power Ventilators
- Maximum inlet air temperature: 160° F
- Bearing and motor cover provide longer service life
- Sealed pillow block bearings

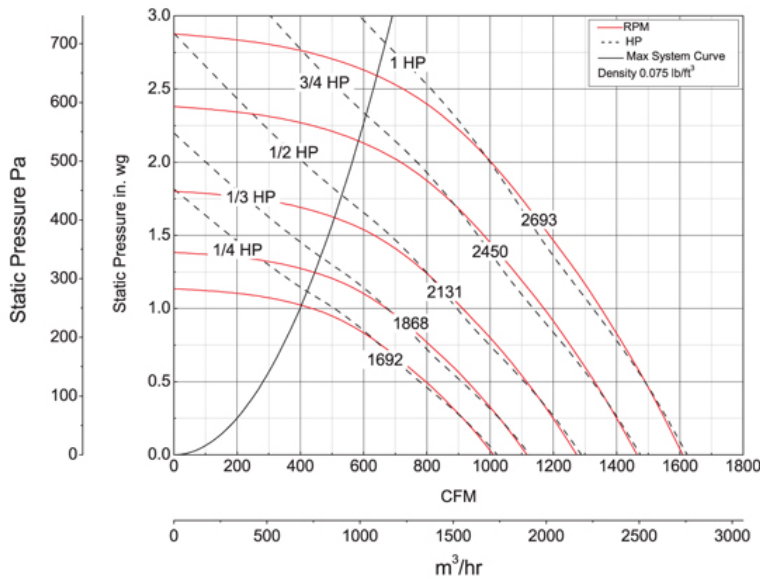


Dayton Electric Mfg. Co. certifies that the blowers shown herein are licensed to bear the AMCA seal. The ratings shown are based on tests and procedures performed in accordance with AMCA Publication 211 and AMCA Publication 311 and comply with the requirements of the AMCA Certified Ratings Program.



A	B	C	D	E	F
15 in	21 in	11 7/8 in	1 in	17 3/8 in	16 in
G					
12 1/2 in					

Performance Characteristics



Construction Features

Impeller Diameter (Typ.)	11 in
Impeller Type	Backward Inclined Centrifugal
Impeller Material	Aluminum
Max Inlet Temp	160 °F
Bearing Type	Sealed Pillow Block
Drive Package Description	Drives By Others
Warranty Length	1 Year

Air & Sound Performance

Motor HP	Max BHP	Fan RPM	CFM @	0.000" SP	0.125" SP	0.250" SP	0.375" SP	0.500" SP	0.625" SP	0.750" SP	0.875" SP	1.000" SP	1.250" SP	1.500" SP	1.750" SP	2.000" SP	2.250" SP	2.500" SP
1/4	0.26	1692	CFM	1011	964	913	857	796	728	651	556	433	—	—	—	—	—	—
			Sones	16.1	16.0	15.8	15.0	14.4	13.7	13.1	12.7	—	—	—	—	—	—	—
1/3	0.35	1868	CFM	1116	1074	1029	980	927	871	809	746	660	—	—	—	—	—	—
			Sones	17.9	17.6	17.3	17.2	16.9	16.5	16.0	15.8	15.4	—	—	—	—	—	—
1/2	0.52	2131	CFM	1274	1236	1199	1157	1114	1068	1021	968	913	784	632	—	—	—	—
			Sones	21.0	21.0	21.0	21.0	21.0	20.0	19.8	19.5	19.2	18.9	18.4	—	—	—	—
3/4	0.79	2450	CFM	1464	1432	1399	1366	1329	1292	1253	1212	1170	1077	980	849	716	—	—
			Sones	25.0	25.0	25.0	24.0	24.0	24.0	24.0	25.0	24.0	24.0	23.0	22.0	23.0	—	—
1	1.05	2693	CFM	1610	1580	1550	1521	1489	1455	1421	1386	1349	1272	1188	1099	989	869	717
			Sones	29.0	28.0	28.0	28.0	27.0	27.0	28.0	29.0	28.0	27.0	26.0	25.0	24.0	26.0	29.0

Performance certified is for installation type B: Free inlet, Ducted outlet. Power rating (BHP) does not include transmission losses. Performance ratings do not include the effects of appurtenances (accessories). The sound ratings shown are loudness values in fan sones at 5 ft. (1.5 m) in a hemispherical free field calculated per AMCA Standard 301. Values shown are for installation type B: Free inlet hemispherical fan sone levels.