

Centrifugal Belt-Drive In-Line Duct Blower

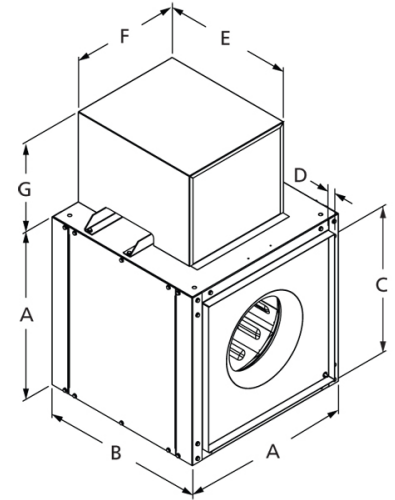


Designed for indoor clean air applications including intake, exhaust, return, or make-up air systems in industrial or commercial buildings. Rugged construction allows fan to be installed in ductwork either horizontally or vertically. Duct collars provide easy duct connections. Access panels are included on each side of the unit.

- Aluminum backward inclined, nonoverloading centrifugal wheel design
- UL/cUL 705 Listed for Power Ventilators
- Maximum inlet air temperature: 160° F
- Bearing and motor cover provide longer service life
- Sealed pillow block bearings

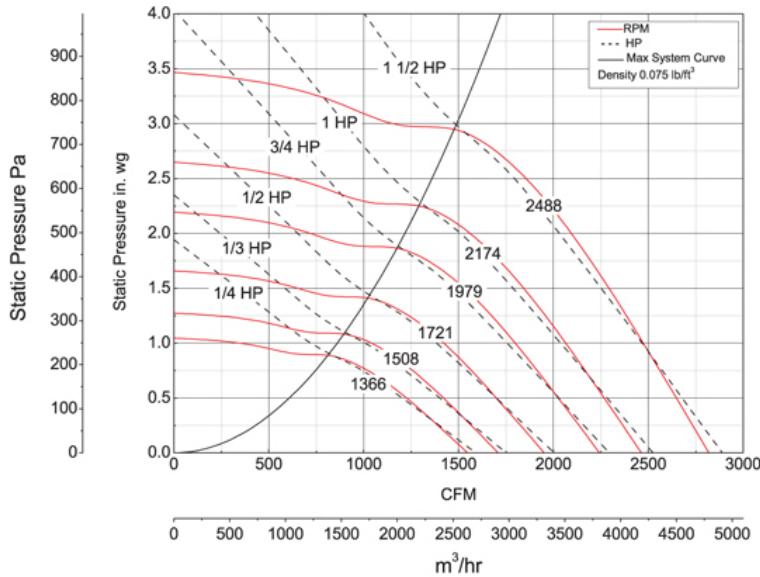


Dayton Electric Mfg. Co. certifies that the blowers shown herein are licensed to bear the AMCA seal. The ratings shown are based on tests and procedures performed in accordance with AMCA Publication 211 and AMCA Publication 311 and comply with the requirements of the AMCA Certified Ratings Program.



A	B	C	D	E	F
19 in	21 in	13 7/8 in	1 in	17 3/8 in	16 in
G					
12 1/2 in					

Performance Characteristics



Construction Features

Impeller Diameter (Typ.)	13 1/8 in
Impeller Type	Backward Inclined Centrifugal
Impeller Material	Aluminum
Max Inlet Temp	160 °F
Bearing Type	Sealed Pillow Block
Drive Package Description	Drives By Others
Warranty Length	1 Year

Air & Sound Performance

Motor HP	Max BHP	Fan RPM	CFM @	0.000" SP	0.125" SP	0.250" SP	0.375" SP	0.500" SP	0.625" SP	0.750" SP	0.875" SP	1.000" SP	1.250" SP	1.500" SP	1.750" SP	2.000" SP	2.250" SP	2.500" SP
1/4	0.26	1366	CFM	1548	1470	1391	1310	1225	1130	1018	840	—	—	—	—	—	—	—
			Sones	11.2	10.9	11.0	10.5	10.5	10.2	9.9	9.2	—	—	—	—	—	—	—
1/3	0.35	1508	CFM	1709	1639	1567	1494	1421	1342	1256	1160	1032	—	—	—	—	—	—
			Sones	12.8	12.5	12.5	12.2	11.7	11.4	11.1	10.7	10.3	—	—	—	—	—	—
1/2	0.52	1721	CFM	1950	1889	1827	1763	1700	1635	1567	1497	1418	1235	—	—	—	—	—
			Sones	15.9	15.1	15.7	15.2	14.5	14.0	13.8	13.6	13.5	12.4	—	—	—	—	—
3/4	0.79	1979	CFM	2243	2189	2135	2081	2026	1970	1915	1858	1798	1670	1527	1321	—	—	—
			Sones	19.8	19.1	19.1	19.0	18.4	17.9	17.6	17.4	17.0	16.5	15.8	14.6	—	—	—
1	1.05	2174	CFM	2434	2415	2366	2317	2267	2217	2166	2116	2065	1956	1839	1715	1557	—	—
			Sones	23.0	23.0	23.0	23.0	22.0	21.0	21.0	21.0	21.0	19.7	19.0	18.5	17.6	—	—
1 1/2	1.57	2488	CFM	2820	2777	2734	2692	2648	2605	2561	2517	2473	2384	2291	2196	2089	1981	1848
			Sones	31.0	31.0	30.0	30.0	29.0	28.0	27.0	26.0	26.0	26.0	27.0	26.0	25.0	24.0	23.0

Performance certified is for installation type B: Free inlet, Ducted outlet. Power rating (BHP) does not include transmission losses. Performance ratings do not include the effects of appurtenances (accessories). The sound ratings shown are loudness values in fan sones at 5 ft. (1.5 m) in a hemispherical free field calculated per AMCA Standard 301. Values shown are for installation type B: Free inlet hemispherical fan sone levels.