

In-Line Cabinet Ventilator



High performance exhaust ventilators designed for residential, commercial, institutional and industrial applications. Factory assembled for horizontal discharge but can be rotated to vertical discharge in the field. Constructed of galvanized steel with a removable access panel on the bottom of unit. Hardware and mounting brackets are included.

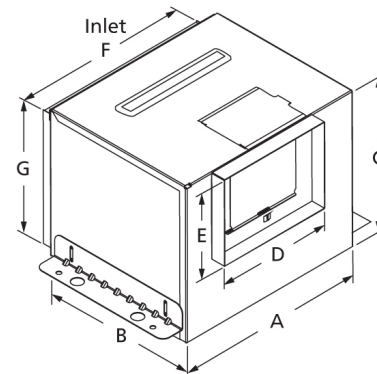
- Single-speed motors feature thermal overload protection
- Electrical access cover on housing exterior allows easy external wiring
- Spring loaded aluminum backdraft damper eliminates rattling
- Exhaust outlets are field rotatable from horizontal to vertical discharge
- Acoustic insulation absorbs sound for quiet operation

AMCA Air



Dayton Electric Mfg. Co. certifies that the ventilators shown herein are licensed to bear the AMCA seal. The ratings shown are based on tests and procedures performed in accordance with AMCA Publication 211 and comply with the requirements of the AMCA Certified Ratings Program.

UL/cUL 507



A	B	C	D	E	F
18 in	14 3/8 in	14 1/2 in	8 in	8 in	16 7/8 in
G					
13 1/4 in					

Performance Characteristics

No Fan Curve Available.

Construction Features

Impeller Type	Backward Inclined Centrifugal
Impeller Material	Galvanized Steel
Max Inlet Temp	104 °F
Warranty Length	1 Year

Motor Information

Motor Item Number	21DV63
Voltage	115
Hertz (Cycle)	60 Hz
Motor Phase	1
Motor Enclosure	Open Drip Proof
RPM	1,000 rpm
Full Load Amps	1.87

Air & Sound Performance

Motor HP	Max BHP	Fan RPM	CFM @	0.000" SP	0.125" SP	0.250" SP	0.375" SP	0.500" SP
—	—	1000	CFM	447	403	364	317	217
			Sones	1.5	1.5	2.0	2.0	2.0

Performance certified is for installation type D: Ducted inlet, Ducted outlet. Performance ratings include the effects of a backdraft damper. Speed (RPM) shown is nominal. Performance is based on actual speed of test. The sound ratings shown are loudness values in fan sones at 5 ft. (1.5 m) in a spherical free field calculated per AMCA Standard 301. Values shown are for installation type D: Ducted inlet spherical sone levels. Ratings do not include the effects of duct end correction. Ratings are based on 10 Ft. of insulated duct. The AMCA Certified Ratings Seal applies to air performance only.